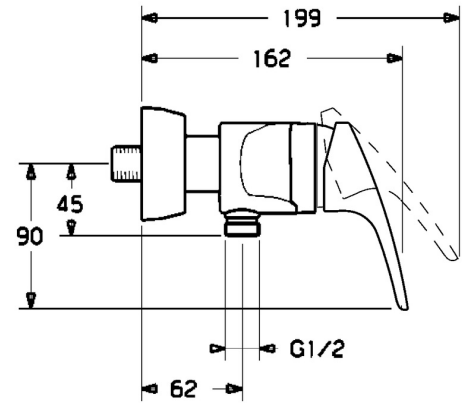
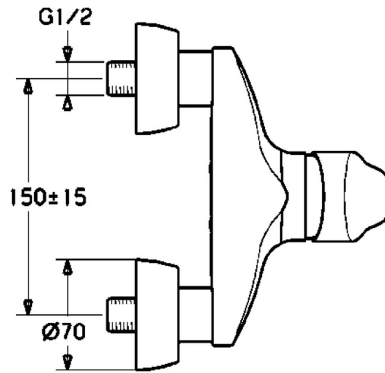
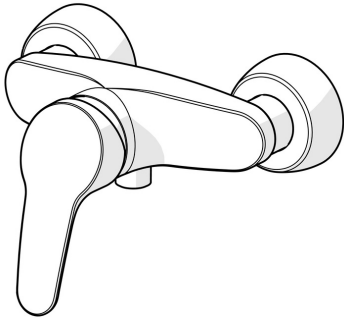


EAN: 4015474525726
static.hansa.com/01670183



- Shower solutions
- Single-lever
- Wall mounted
- Chrome
- Hot/Cold symbols, Single operating lever/handle
- Limitation option for maximum temperature and flow-rate, Adjustable hot water stop (included, retrofittable)
- ø 48 mm ceramic eco cartridge for flow and temperature control, Non-return valve(s)
- Eccentric coupling(s), Cover plate(s), Silencer(s)
- Inner body made of DZR brass



Technical data

Flow properties

Eco-flow at 3 bar	9.6 l/min
Flow-rate at 3 bar	19.2 l/min

Technical properties

DN-size (nominal dimension)	DN15
Hot water supply	max. +80°C
Working pressure	0.5-10 bar
Backflow prevention (EN1717)	EB
Material	Brass

Regulations

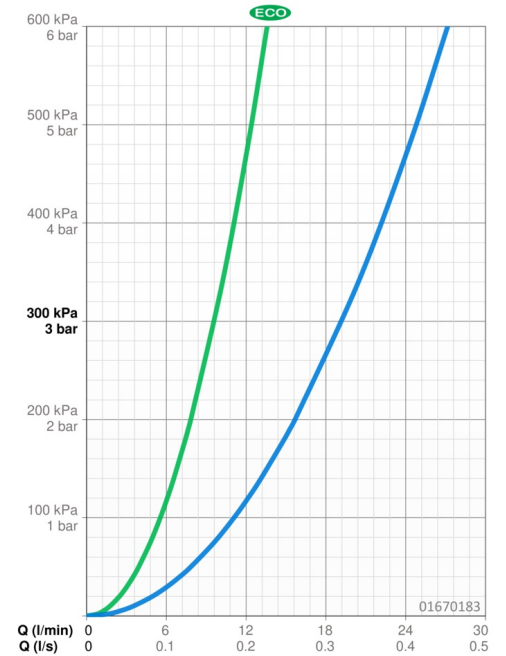
EN standard	EN 817
Noise class	I (ISO 3822)

Approvals and Declarations

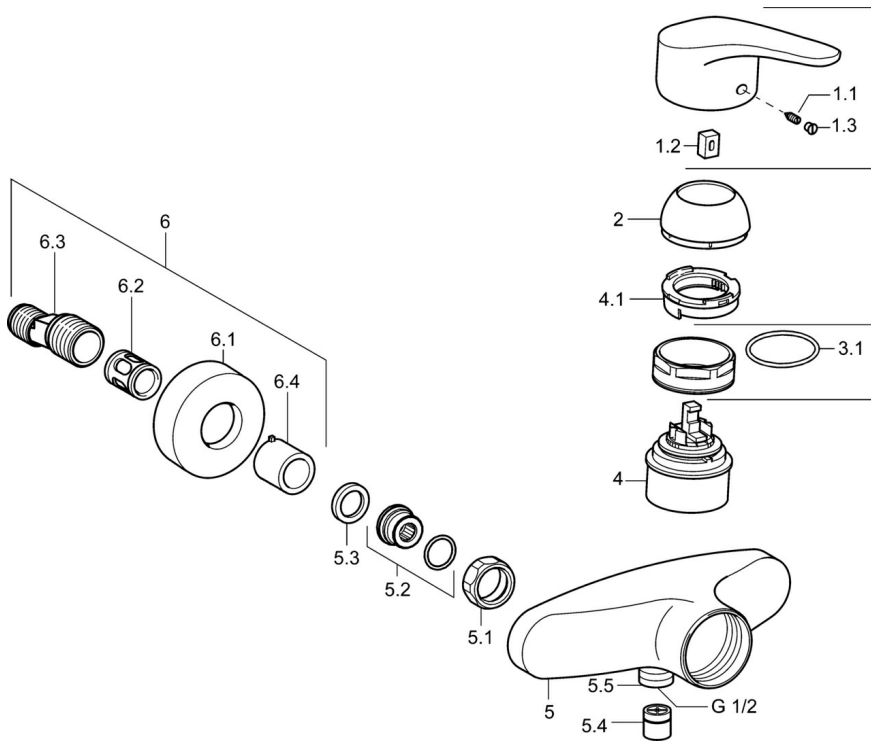
KIWA	K6116/08
ABP	PA-IX 29934/IB
Declaration of conformity	DoC
EPD	S-P-06397

Sustainability

EPD module A1 (kg CO2 eq.)	9,38
EPD module A2 (kg CO2 eq.)	0,44
EPD module A3 (kg CO2 eq.)	1,08
EPD module A1-A3 (kg CO2 eq.)	10,89
EPD module A4 (kg CO2 eq.)	0,39
EPD module B7 (kg CO2 eq.)	1688,00
EPD module C2 (kg CO2 eq.)	0,02
EPD module C3 (kg CO2 eq.)	0,02
EPD module C4 (kg CO2 eq.)	0,77
EPD module D (kg CO2 eq.)	-6,91



Spare parts



SP01670183

	Name	Code
1	Lever, L=93 mm	01880083
1.1	Screw, M5x8, SW2.5	59904755
1.2	Bushing	59904778
1.3	Symbol plug Grey	59912112
2	Covering cap	59912638
3	Eye screw, M50x1, SW45	59904775
3.1	O-ring, d 43x2.5	59911166
3.4	Cartridge, 4.8 eco	59904601
4.1	Hot water limiter	59904759
5.1	Connection nut, G3/4, AF30	59902230
5.2	Connector	59913400
5.3	Retaining ring, 23.9x15.2x2	59902689
5.4	Non-return valve	59905714
5.5	Thread nipple, G1/2xM18x1	59911384
6.1	Cover flange	59912652
6.2	Silencer	59904792
6.3	Eccentric connector, G3/4xG1/2, DN15	59910254
6.4	Cover sleeve	59912651