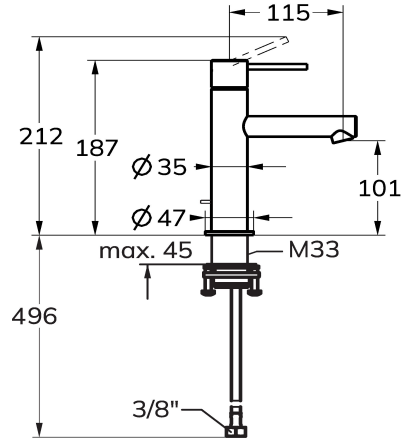


KWC ONO E Lever mixer – Washbasin

Modell-Linie: ONO E | 12.578.051.000FL
Taps | Manual taps



KWC-No.

125616
chromeline, A115, flexible connection hoses, without pop-up valve

125617
stainless steel, A115, flexible connection hoses, without pop-up valve

- * Lever mixer
- * Made of stainless steel
- * EcoProtect - water-saving device
- * Fixed spout
- Neoperl® Caché® SSR, swivelling jet regulator
- * KWC cartridge S 25

Color_code

chrome

stainless steel

NEW

- with ceramic discs
- flow rate and temperature continuously variable
- * Flexible connection hoses 3/8"
- * QuickInstallation - Fastening via threaded connection with locking screws
- * Mounting hole size ø35 mm

Technical Data

| | |
|-------------------|--|
| Pop-up_valve | |
| Connection | |
| Spout | |
| Handling | |
| Color_code | |
| Installation type | |
| Faucet_typ | |
| Measure Height | |
| Projection_A | |

| |
|----------------|
| 2 |
| Thermosatic |
| Shut-off valve |
| Shut-off valve |
| chrome |
| Shut-off valve |
| Lever mixer |
| 212 |
| A 115 |



Spare Parts





KWC ONO E
Lever mixer – Washbasin

Modell-Linie: ONO E | 12.578.051.000FL
Taps | Manual taps

Cartridge S 25

538711
Z.536.032

Service key Neoperl © Caché ©, TJ, 18 mm, green

634729
CACHETJ
