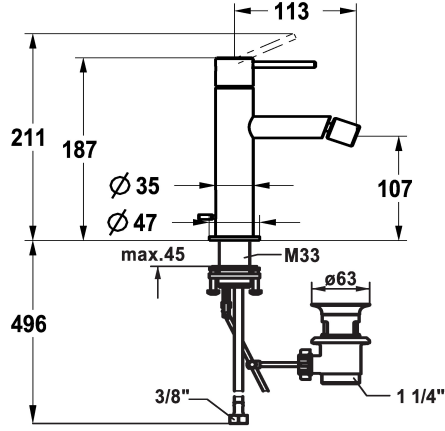


KWC ONO E Lever mixer – Bidet

Modell-Linie: ONO E | 13.578.041.700FL
Taps | Manual taps



KWC-No.

125632
chromeline, A115, flexible connection hoses, with pop-up valve

125633
stainless steel, A115, flexible connection hoses, with pop-up valve

- * Lever mixer
- * Made of stainless steel
- * EcoProtect - water-saving device
- * Fixed spout
- Ball joint aerator perlator
- * KWC cartridge S 25
- with ceramic discs

Color_code

chrome

stainless steel

NEW

- flow rate and temperature continuously variable
- * Flexible connection hoses 3/8"
- * QuickInstallation - Fastening via threaded connection with locking screws
- * Mounting hole size ø35 mm
- * Scope of delivery:
- KWC pop-up valve Z.538.581.177

Technical Data

Pop-up_valve
Connection
Spout
Handling
Color_code
Installation type
Faucet_typ
Measure Height
Projection_A

Shut-off valve
Thermosatic
Shut-off valve
Shut-off valve
stainless steel
Shut-off valve
Lever mixer
211
A 115



Spare Parts





KWC ONO E
Lever mixer – Bidet

Modell-Linie: ONO E | 13.578.041.700FL
Taps | Manual taps

Cartridge S 25

538711
Z.536.032

**Service key Neoperl © Caché ©, TJ, 18
mm, green**

634729
CACHETJ

Pop-up valve

3600004125
Z.538.581.177
