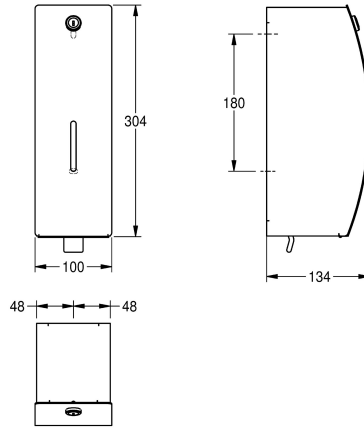


## KWC STRATOS Soap dispenser for wall mounting

Modell-Linie: STRATOS | STRX618  
Accessories | Soap dispensers



### KWC-No.

**2000057379**

Dimensions 100 x 304 x 134 mm (W x H x D)

Soap dispenser for wall mounting, stainless steel, surface satin finished, front with InoxPlus surface refinement for the reduction of finger marks and better cleaning characteristics (easy to clean), material thickness 1.5 mm, curved front cover, cylinder lock with KWC standard key, inspection window on front, suitable for liquid

soaps and lotions, 0.8 liter soap tank, with plastic pull lever, includes stainless steel screws and dowels.

Dimensions 100 x 304 x 134 mm (W x H x D)

### Technical Data

filling quantity
filling quantity uom
lock
material
material code
material thickness
overall depth
overall height
overall width
surface finish
surface treatment
type of consumable
type of fixing
type of mounting
type of operation
type of soap container

0.8
liter
key-lock
stainless steel
1.4301 Chrome Nickel steel V2A
1.5 mm
134 mm
304 mm
100 mm
satin finished
InoxPlus (anti fingerprint)
liquid soap
screw
wall mounting
manual operation
integrated refillable tank

**INOX PLUS**

### Consumables

## KWC STRATOS Soap dispenser for wall mounting

Modell-Linie: **STRATOS | STRX618**  
Accessories | Soap dispensers



### Liquid soap

---

**2030058103**  
SO1LP

---



### Liquid soap

---

**2000057168**  
SO10L

---