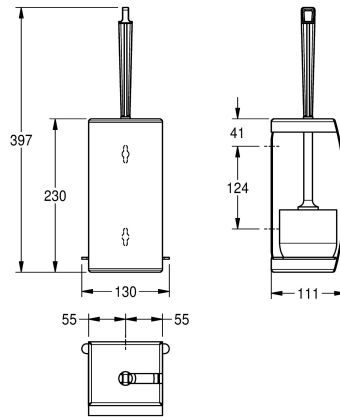


KWC STRATOS Toilet brush holder

Modell-Linie: STRATOS | STRX687
Accessories | Toilet brush holders



KWC-No.

2000057403

Dimensions 130 x 397 x 111 mm (W x H x D)

Toilet brush holder for wall mounting, stainless steel, surface satin finished, front with InoxPlus surface refinement for the reduction of finger marks and better cleaning characteristics (easy to clean), material thickness 1.5 mm, curved front cover, white nylon brush with flushing rim cleaner, withdrawal opening either left or right,

depending on mounting, removable plastic drop tray, includes stainless steel screws and dowels.

Dimensions 110 x 230 x 110 mm (W x H x D)

Technical Data

brush colour
material
material code
material thickness
overall depth
overall height
overall width
surface finish
surface treatment
type of brush
type of fixing
type of mounting

white
stainless steel
1.4301 Chrome Nickel steel V2A
1.5 mm
110 mm
230 mm
110 mm
satin finished
InoxPlus (anti fingerprint)
nylon
screw
wall mounting

INOX PLUS

Optional Accessories



KWC STRATOS Toilet brush holder

Modell-Linie: **STRATOS | STRX687**
Accessories | Toilet brush holders

Toilet brush

2000100020
E-STRX687

Spare Parts



Nylon toilet brush

2000100019
E-BS686
