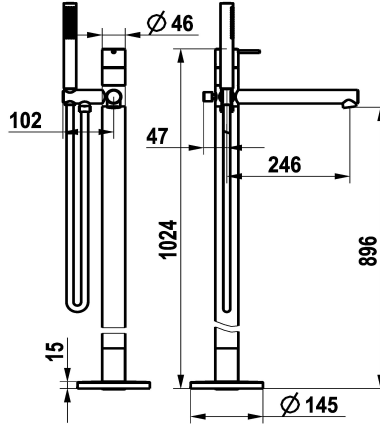
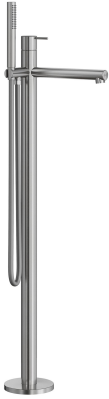


## KWC ONO E Lever mixer – Tub

Modell-Linie: ONO E | 20.571.094.700  
Showers | Exposed bath mixer



### KWC-No.

**125655**  
chromeline, A 245, with spray head, hose and holder

**125656**  
stainless steel, A 245, with spray head, hose and holder

- \* Lever mixer
- \* For freestanding tub
- \* Made of stainless steel
- \* Integrated check valve in the hose outlet
- \* with shower holder
- \* Fixed spout
- Neoperl® SLIM®
- \* KWC cartridge M 35 OP

### Color code

chrome

stainless steel

NEW

- with ceramic discs
- flow rate and temperature continuously variable
- temperature limitation
- \* Scope of delivery:
- Hand shower KWC FIT-X slim 26.000.103.700
- Shower hose 1500 mm, plastic 26.001.033.177
- \* To be ordered separately:
- Unit for concealed installation 39.000.602.931

### Technical Data

Spout
Showerset
Handling
Color code
Installation_type
Faucet_typ
Measure Height
Projection_A

Pillar installation1
Pillar installation1
Pillar installation1
stainless steel
Freestanding1
Lever mixer
1024
A 245

### Mandatory Accessories



### DOMO 6.0 Concealed unit

## KWC ONO E Lever mixer – Tub

Modell-Linie: ONO E | 20.571.094.700  
Showers | Exposed bath mixer

**124801**  
39.000.602.931

---

### Spare Parts



**Cartridge M 35 OP**

**538331**  
Z.537.710

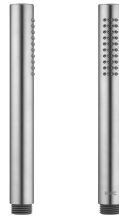
---



**Service key Neoperl © Caché ©, STD,  
24 mm, grey**

**635231**  
Z.635.231

---



**FIT-X Baton shower slim**

**125188**  
26.000.103.700

---



**SHOWERCULTURE Shower hose**

**538516**  
26.001.033.177

---