

**AXOR ShowerSelect ID**  
**Thermostat for concealed installation square for 2 functions**  
 Finish: **Chrome** Article Number: **36752000**



## product features

- 2 functions
- simultaneous use of several outlets
- comfortable turning on / off of outlets with large Select-paddle, precise temperature control thanks to vertical handle structure and haptic feedback from the thermostat handle
- water flow control with stop function
- thermostat cartridge, Start/stop valve to operate the functions
- maximum flow rate at 1 bar: 12,7 l/min
- flow rate upper outlet: 20 l/min
- flow rate lower outlet: 20 l/min
- maximum flow rate at 3 bar: 22,1 l/min
- min. operating pressure: 1 bar
- max. operating pressure: 10 bar
- flat escutcheon for more space in the shower
- escutcheon can be aligned by +/- 3°
- easy installation due to pre-assembled function block
- handles always at the same height regardless of the installation depth of the basic set
- Safety stop at 40 °C
- temperature limitation adjustable
- the thermostat offers the possibility for thermal disinfection
- material button: metal
- material handles: metal
- connection type: basic set iBox universal 2 (# 01400180)
- Select-paddles are delivered with lasered user symbols (Rain large and hand shower)

## Technology



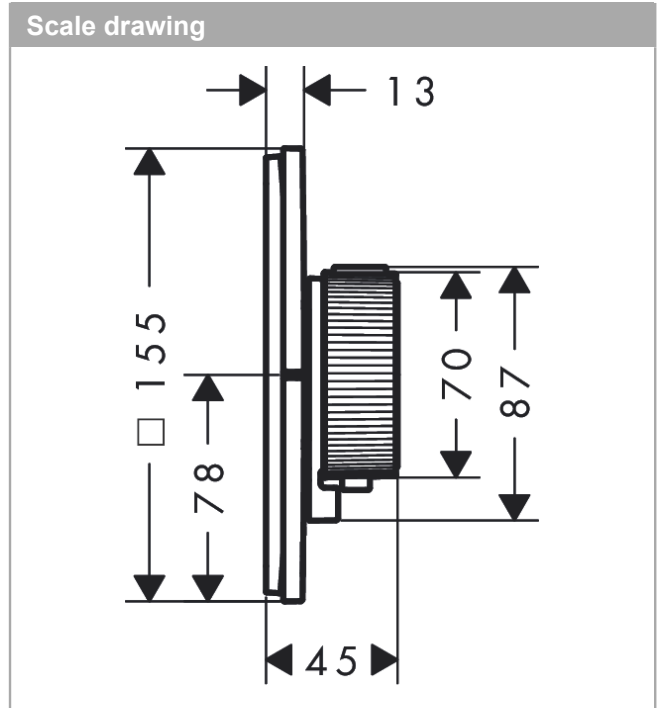
**AXOR ShowerSelect ID**  
**Thermostat for concealed installation square for 2 functions**  
 Finish: **Chrome** Article Number: **36752000**



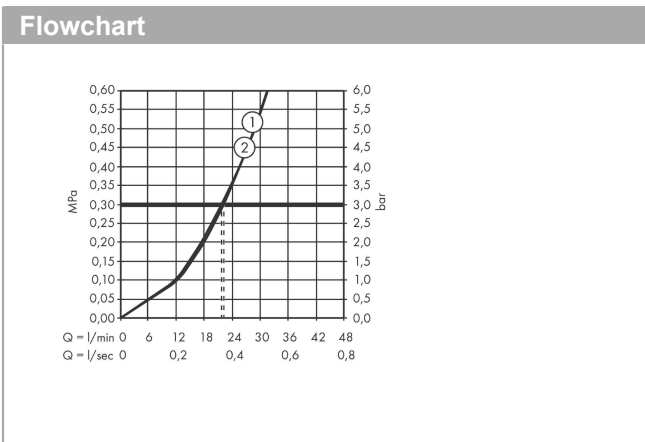
Product image



Scale drawing



Flowchart

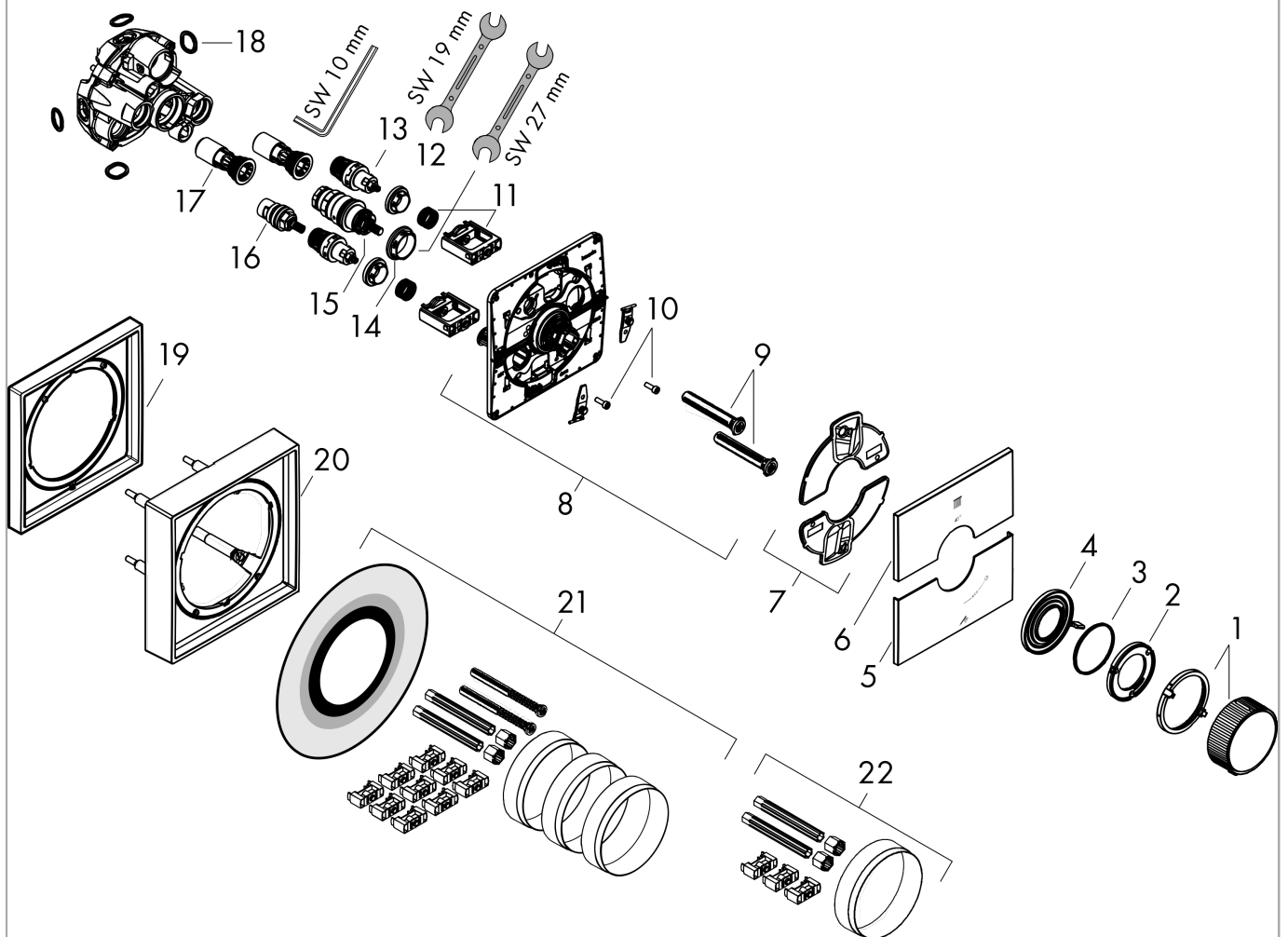


**AXOR ShowerSelect ID**  
**Thermostat for concealed installation square for 2 functions**  
Finish: **Chrome** Article Number: **36752000**



## Exploded Drawing

Year of production: >04/24



**AXOR ShowerSelect ID**  
**Thermostat for concealed installation square for 2 functions**  
 Finish: **Chrome** Article Number: **36752000**



## Spare part list

Year of production: >04/24

Pos.		Article Number	PC	PU
1	handle for thermostat	87777000	15	1
2	adapter for handle	87915000	10	1
3	O-ring 51x1,5	87862000	1	1
4	handle for shut off unit	87778670	10	1
5	cover	87803000	11	1
6	cover	87802000	11	1
7	sealing set	94933000	2	1
8	sub plate	87798000	12	1
9	compensation set	94930000	3	1
10	hexagon socket screw M4x12	94929000	2	1
11	Select-adapter	94900000	7	1
12	nut	98368000	4	1
13	shut off unit	95758000	14	1
14	nut	98913000	6	1
15	thermostat cartridge	98282000	14	1
16	shut off unit right closing	94009000	9	1
17	service unit	94928000	8	1
18	O-ring 16x2,5	98134000	1	1
19	extension 5 mm	13641000	98	1
20	extension 22 mm	13645000	98	1
21	extension 25 - 75 mm	13632000	98	1
22	extension 25 mm	13638000	98	1
a	concealed item	01400180	98	1
b	service tool	87567000	1	1
c	set of adapters	13588000	98	1