

AXOR Citterio
Single lever basin mixer 280 with lever handle for wash bowls with waste set
 Finish: **Chrome** Article Number: **39021000**



product features

- consists of: single lever basin mixer, waste set
- ComfortZone: 280
- projection: 200 mm
- spout height: 280 mm
- handle variant: lever handle
- spray type: normal spray
- maximum flow rate at 3 bar: 5 l/min
- ceramic cartridge
- suitable for continuous flow water heaters
- non-closing waste set
- connection type: G 3/8 hose connections
- connection dimension: DN15
- EU taxonomy: max. 6 l/min - Substantial Contribution (SC) possible

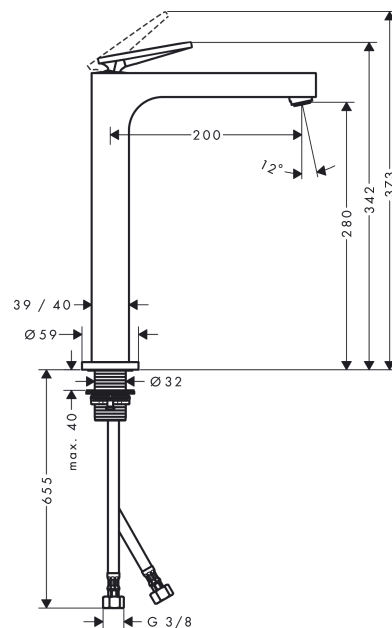
Technology



Product image



Scale drawing



AXOR Citterio
Single lever basin mixer 280 with lever handle for wash bowls with waste set
Finish: **Chrome** Article Number: **39021000**



Flowchart

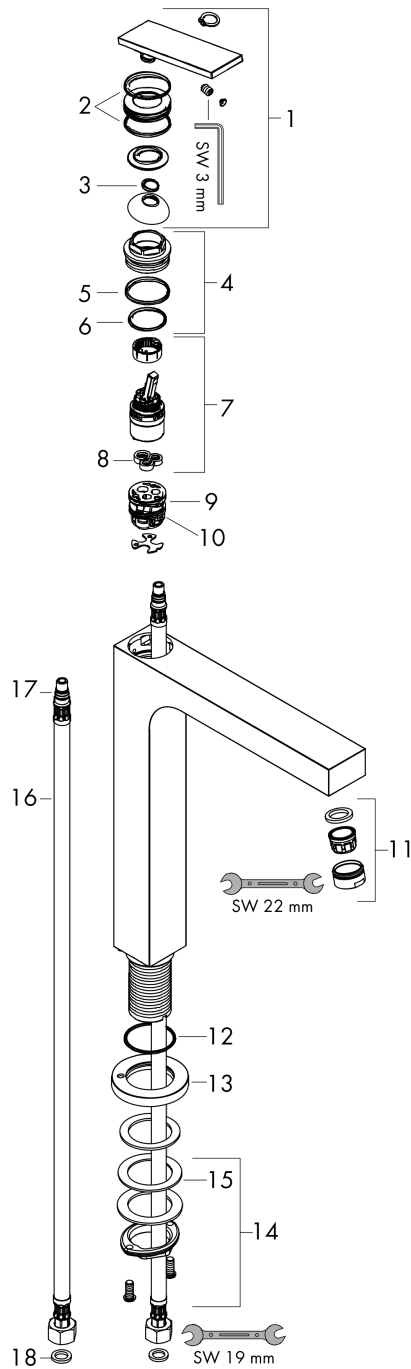


AXOR Citterio
Single lever basin mixer 280 with lever handle for wash bowls with waste set
 Finish: **Chrome** Article Number: **39021000**



Exploded Drawing

Year of production: >04/21



AXOR Citterio
Single lever basin mixer 280 with lever handle for wash bowls with waste set
 Finish: **Chrome** Article Number: **39021000**



Spare part list

Year of production: >04/21

Pos.		Article Number	PC	PU
1	handle	94091000	15	1
2	O-ring 30x1,5	98433000	1	1
3	O-ring 11x1	92924000	1	1
4	nut	94092000	13	1
5	O-ring 29x2	98391000	1	1
6	O-ring 25x1,5	98146000	2	1
7	cartridge, assy	92900000	10	1
8	seal	93383000	4	1
9	adapter for cartridge	98866000	8	1
10	O-ring 23x2	98398000	1	1
11	aerator M24x1 (5 l/min)	13185000	98	1
12	O-ring 36x2	98156000	1	1
13	escutcheon	97807000	11	1
14	fixing set (Ø 32)	13961000	7	1
15	lever collar	97548000	1	1
16	connection hose 900 mm M8x0,75 G3/8	96316000	9	1
17	O-ring 7x1,5	98422000	1	1
18	sealing set	95581000	2	1
a	pop up waste	51301000	98	1
b	fixation extension 35 mm	13898000	12	1