

AXOR Citterio

Single lever basin mixer for concealed installation wall-mounted with pin handle, spout 220 mm and escutcheons

Finish: **Chrome** Article Number: **39116000**



product features

- consists of: single lever basin mixer for concealed installation wall-mounted, waste set
- projection: 220 mm
- handle variant: pin handle
- spray type: normal spray
- maximum flow rate at 3 bar: 5 l/min
- ceramic cartridge
- suitable for continuous flow water heaters
- non-closing waste set
- connection type: basic set
- connection dimension: DN15
- handle can be positioned on the right or left, depending on the basic set installation
- EU taxonomy: max. 6 l/min - Substantial Contribution (SC) possible

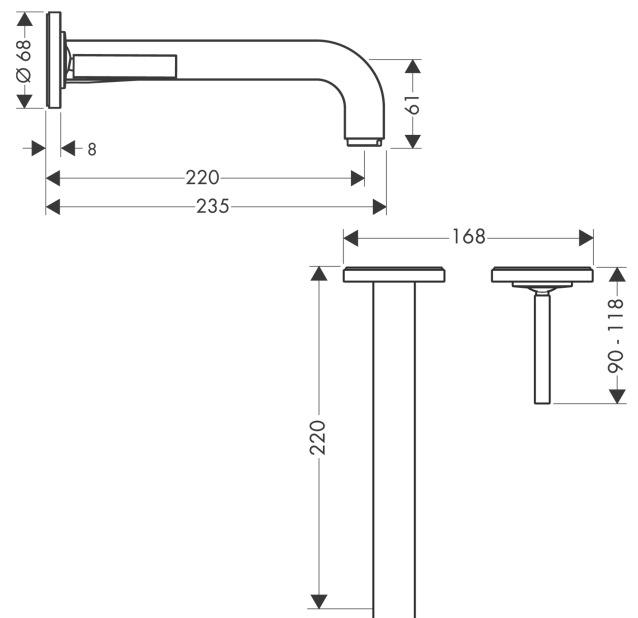
Technology



Product image



Scale drawing



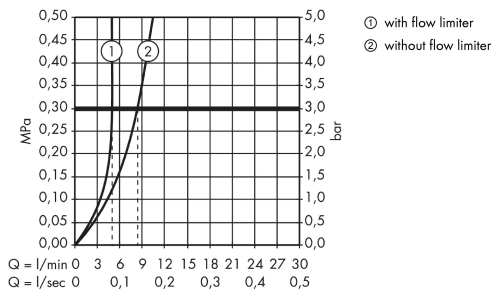
AXOR Citterio

Single lever basin mixer for concealed installation wall-mounted with pin handle, spout 220 mm and escutcheons



Finish: **Chrome** Article Number: **39116000**

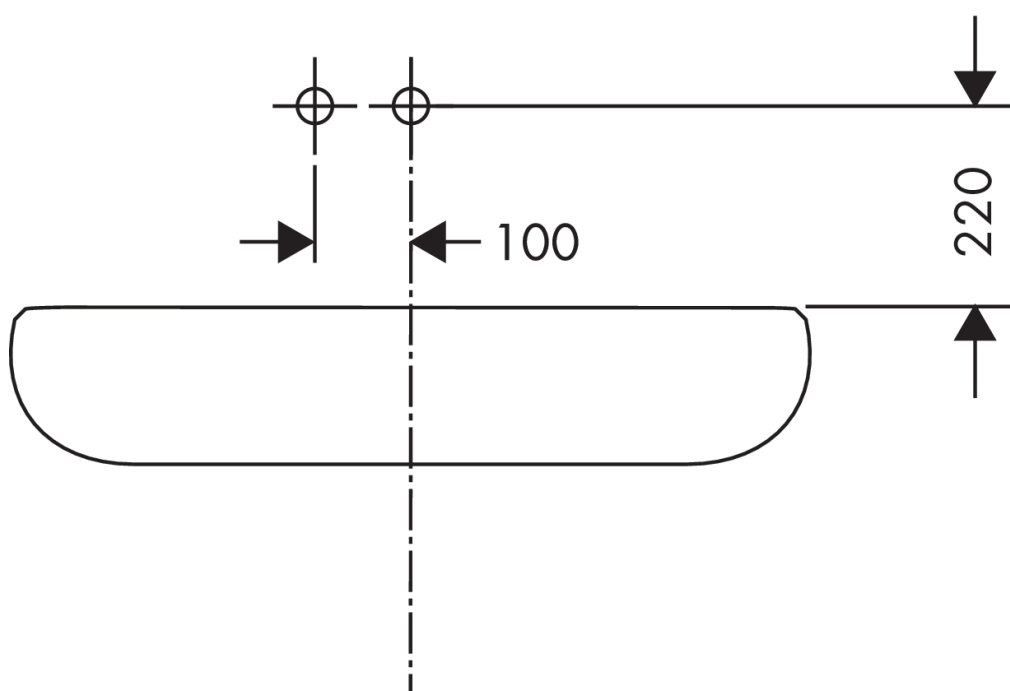
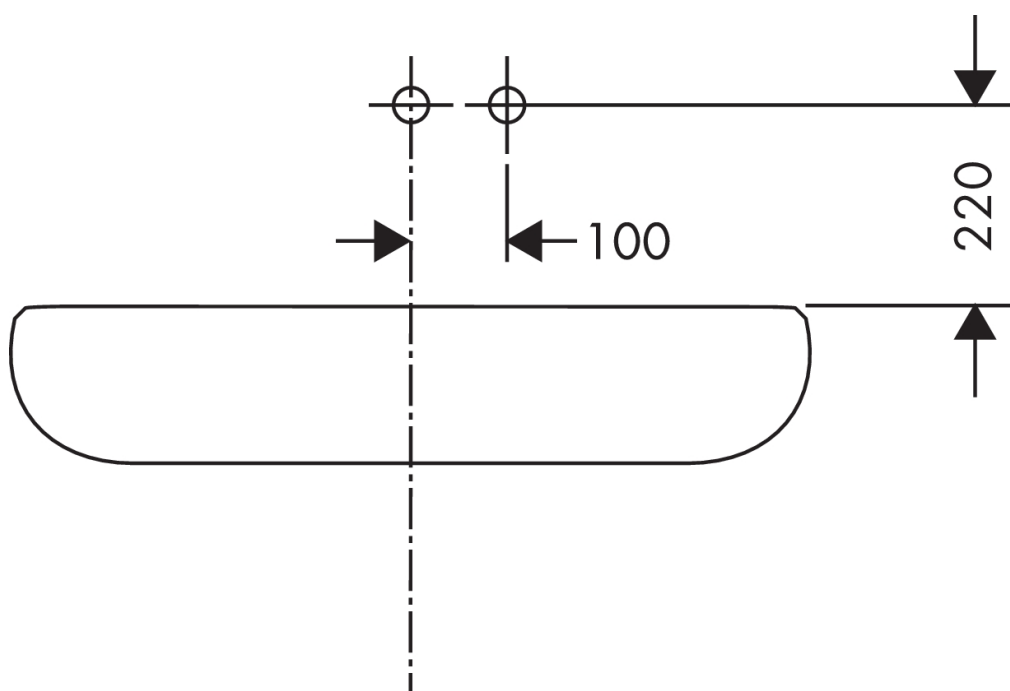
Flowchart



AXOR Citterio
Single lever basin mixer for concealed installation wall-mounted with pin handle, spout 220 mm and escutcheons
Finish: **Chrome** Article Number: **39116000**



Installation examples

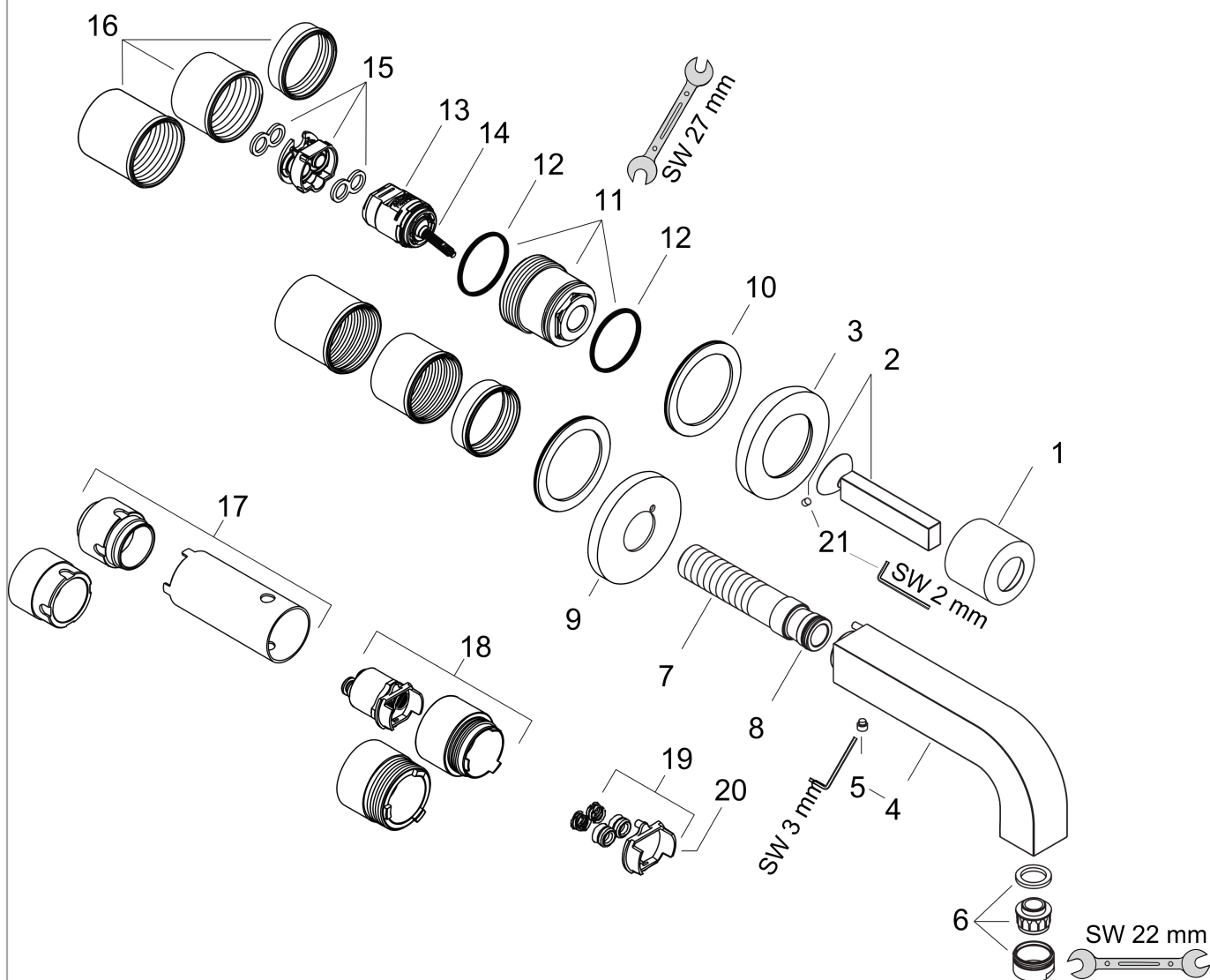


AXOR Citterio
Single lever basin mixer for concealed installation wall-mounted with pin handle, spout 220 mm and escutcheons
 Finish: **Chrome** Article Number: **39116000**



Exploded Drawing

Year of production: >01/10



AXOR Citterio

Single lever basin mixer for concealed installation wall-mounted with pin handle, spout 220 mm and escutcheons



Finish: **Chrome** Article Number: **39116000**

Spare part list

Year of production: >01/10

Pos.		Article Number	PC	PU
1	flange	96908000	9	1
2	handle	39092000	15	1
3	escutcheon for handle	96909000	12	1
4	spout 220 mm	97239000	21	1
5	hollow set screw M6x6	97660000	1	1
6	aerator M24x1 (5 l/min)	13185000	98	1
7	connecting thread G½	97228000	10	1
8	O-ring 16x2,5	98134000	1	1
9	escutcheon	98720000	12	1
10	washer	97600000	4	1
11	nut	95645000	9	1
12	O-ring 34x2	98383000	2	1
13	cartridge, assy	96339000	12	1
14	O-ring 21,95x1,78	95169000	1	1
15	adapter for cartridge	95644000	5	1
16	fixing set	97971000	9	1
17	extension set 25 mm for 13622180	31971000	98	1
18	conversion kit	95643000	9	1
19	adapter for cartridge	97280000	2	1
20	hollow set screw M4x6	97767000	1	1
a	extension set for 38111180	38982000	16	1
b	waste	50001000	98	1
c	base body	13622180	98	1
d	service tool for disassembling the handle	92124000	15	1
e	adapter for exchanged connections	93561000	18	1