

AXOR Citterio

Single lever basin mixer for concealed installation wall-mounted with lever handle, spout 220 mm and escutcheons

Finish: **Chrome** Article Number: **39121000**



product features

- consists of: single lever basin mixer for concealed installation wall-mounted, waste set
- projection: 220 mm
- handle variant: lever handle
- spray type: normal spray
- maximum flow rate at 3 bar: 5 l/min
- ceramic cartridge
- suitable for continuous flow water heaters
- non-closing waste set
- connection type: basic set
- connection dimension: DN15
- handle can be positioned on the right or left, depending on the basic set installation
- EU taxonomy: max. 6 l/min - Substantial Contribution (SC) possible

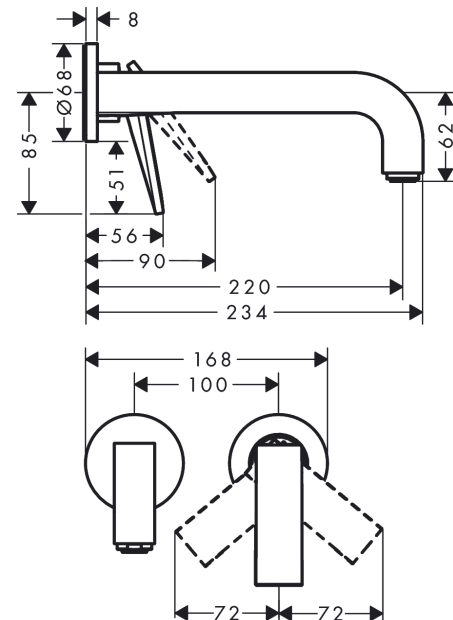
Technology



Product image



Scale drawing



AXOR Citterio

Single lever basin mixer for concealed installation wall-mounted with lever handle, spout 220 mm and escutcheons

Finish: **Chrome** Article Number: **39121000**



Flowchart

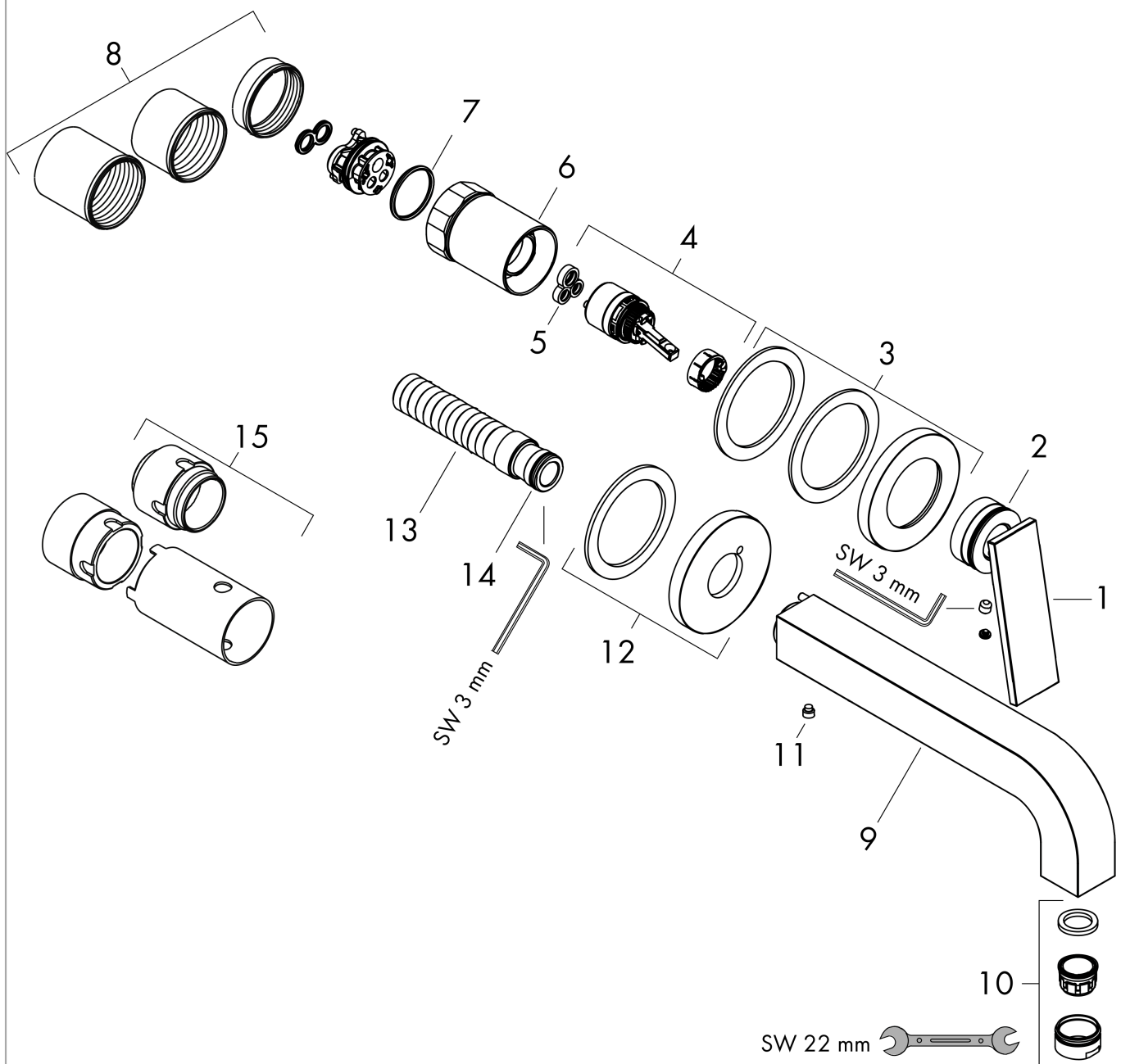


AXOR Citterio
Single lever basin mixer for concealed installation wall-mounted with lever handle, spout 220 mm and escutcheons
 Finish: **Chrome** Article Number: **39121000**



Exploded Drawing

Year of production: >06/21



AXOR Citterio

Single lever basin mixer for concealed installation wall-mounted with lever handle, spout 220 mm and escutcheons

Finish: **Chrome** Article Number: **39121000**



Spare part list

Year of production: >06/21

Pos.		Article Number	PC	PU
1	handle	94320000	15	1
2	O-ring 33x1,5	98164000	1	1
3	escutcheon for handle	96909000	12	1
4	cartridge, assy	92900000	10	1
5	seal	93383000	4	1
6	sleeve	93373000	14	1
7	O-ring 26x2	98147000	1	1
8	fixing set	97971000	9	1
9	spout 220 mm	97239000	21	1
10	aerator M24x1 (5 l/min)	13185000	98	1
11	hollow set screw M6x6	97660000	1	1
12	escutcheon	98720000	12	1
13	connecting thread G½	97228000	10	1
14	O-ring 16x2,5	98134000	1	1
15	extension 25 mm	13586000	98	1
a	pop up waste	51301000	98	1