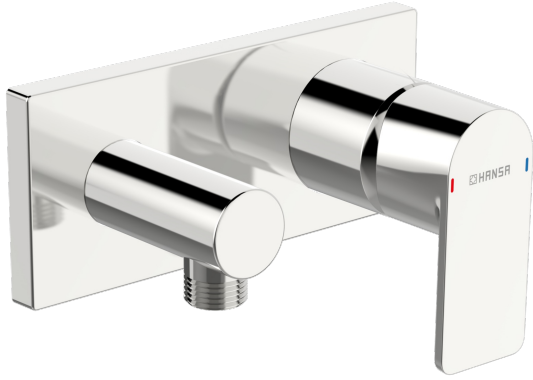
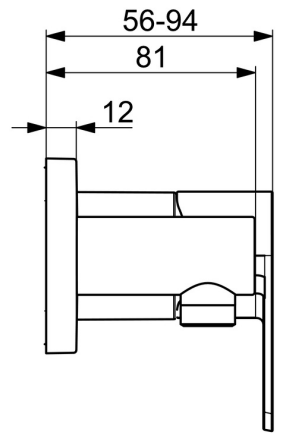
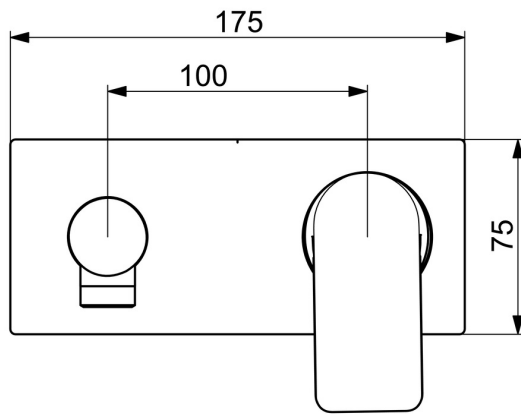
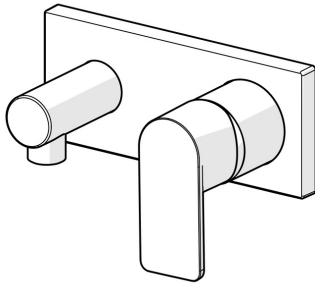


EAN: 4057304015281
static.hansa.com/44569573



Introducing this chrome finished shower faucet, designed for concealed wall-mounting in your shower area. The sleek chrome surface treatment adds a touch of elegance to your bathroom. The inner body is made of corrosion resistant brass, ensuring durability and reliability. This is a top-of-the-line product and known for its innovative design and flexibility in combination with different modern bathroom designs.

- Shower solutions
- Trim Kit, Single-lever
- Concealed wall mounting
- Chrome
- Single operating lever/handle, Hot/Cold symbols
- Limitation option for maximum temperature and flow-rate
- ø 40 mm ceramic cartridge for flow and temperature control
- Inner body made of DZR brass
- Square rosette, Sleeve



Technical data

Flow properties

Flow-rate at 3 bar **12.0 l/min**

Technical properties

Hot water supply **max. +80°C**
 Working pressure **0.5-10 bar**
 Connection size **G1/2**
 Backflow prevention (EN1717) **EB**
 Material **Brass**

Regulations

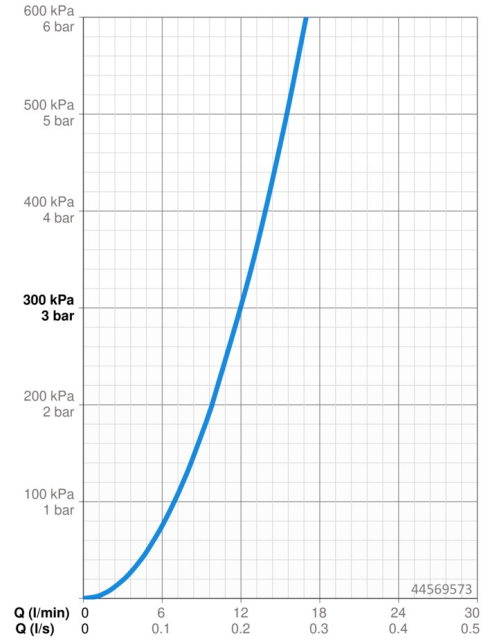
EN standard **EN 817**
 Noise class **II (ISO 3822)**

Approvals and Declarations

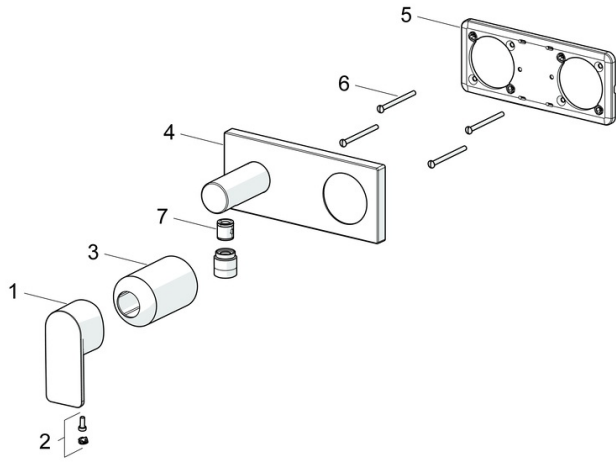
Declaration of conformity **DoC**
 EPD **S-P-07752**

Sustainability

EPD module A1 (kg CO2 eq.) **7,53**
 EPD module A2 (kg CO2 eq.) **0,24**
 EPD module A3 (kg CO2 eq.) **4,70**
 EPD module A1-A3 (kg CO2 eq.) **12,42**
 EPD module A4 (kg CO2 eq.) **0,21**
 EPD module B7 (kg CO2 eq.) **2316,00**
 EPD module C2 (kg CO2 eq.) **0,01**
 EPD module C3 (kg CO2 eq.) **0,01**
 EPD module C4 (kg CO2 eq.) **0,16**
 EPD module D (kg CO2 eq.) **-3,84**



Spare parts



SP44569573

	Name	Code
01	Lever	1009774V
02	Symbol plug	59914573
03	Cover sleeve	59914572
04	Cover flange, 175x75 mm Discontinued	59913733
05	Cover plate holder	59913697
06	Screw, M4x55	59913698
07	Non-return valve	59905714