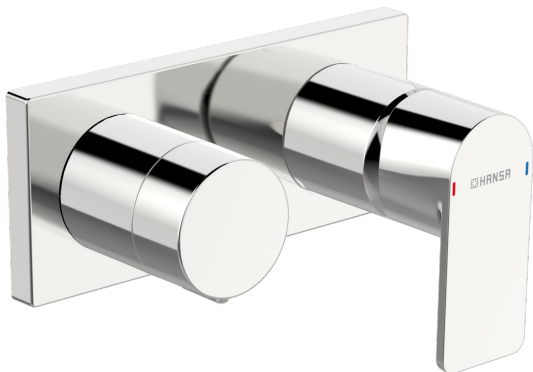


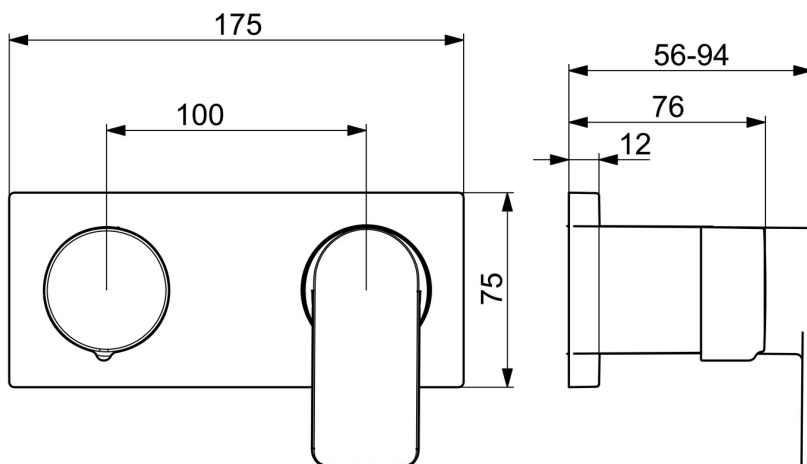
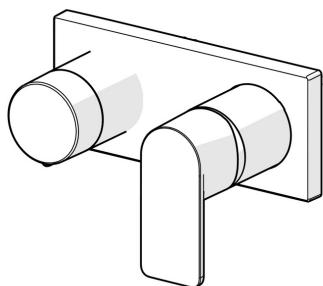
EAN: 4057304015298

static.hansa.com/44579573



Introducing this chrome finished bath and shower faucet, designed for concealed wall-mounting in your bathtub and shower area. The sleek chrome surface treatment adds a touch of elegance to your bathroom. With a single-lever trim kit and turn-operated diverter, this product is easy to use. The inner body is made of corrosion resistant brass, ensuring durability and reliability. This is a top-of-the-line product and known for its innovative design and flexibility in combination with different modern bathroom designs.

- Bathtub & Shower
- Trim Kit, Single-lever
- Concealed wall mounting
- Chrome
- Single operating lever/handle, Hot/Cold symbols
- Turn operated diverter
- Limitation option for maximum temperature and flow-rate
- ø 40 mm ceramic cartridge for flow and temperature control
- Inner body made of DZR brass
- Square rosette, Sleeve



Technical data

Flow properties

Flow-rate at 3 bar **16.8 / 12.0 l/min**

Technical properties

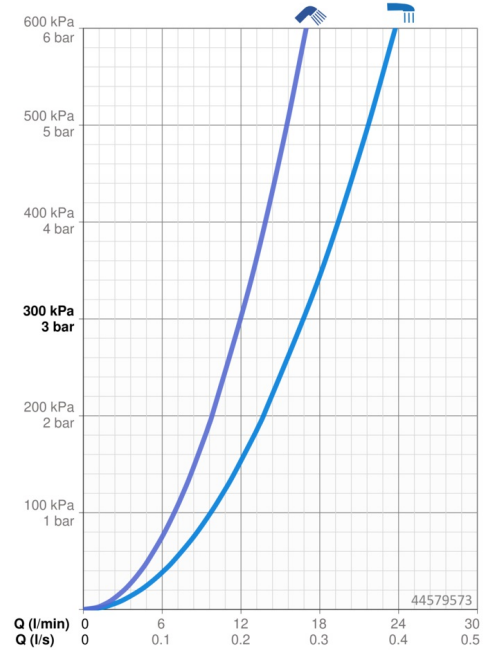
Hot water supply **max. +80°C**
 Working pressure **0.5-10 bar**
 Connection size **G1/2**
 Material **Brass**

Regulations

EN standard **EN 817**
 Noise class **II (ISO 3822)**

Approvals and Declarations

Declaration of conformity **DoC**



Spare parts

SP44579573

| | Name | Code |
|----|---------------------|----------|
| 01 | Lever | 1009774V |
| 02 | Symbol plug | 59914573 |
| 03 | Cover sleeve | 59914572 |
| 04 | Cover plate, 175x75 | 59913734 |
| 05 | Cover plate holder | 59913697 |
| 06 | Screw, M4x55 | 59913698 |
| 07 | Cover sleeve | 59914671 |

