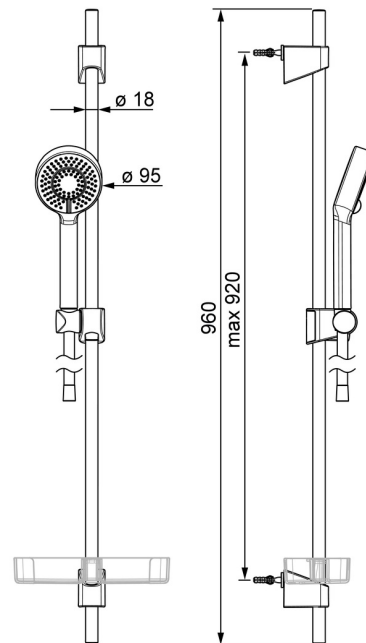
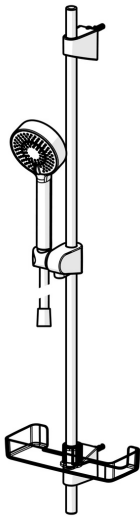


EAN: 4057304015694  
[static.hansa.com/4467013333](http://static.hansa.com/4467013333)



- Shower solutions
- Wall mounted
- Matt black
- Hand shower, Shower rail, Adjustable shower rail bracket, Soap dish, Shower hose (1750 mm), Anti limescale technology (easy to clean)
- Normal - Even and soft water stream, Refreshing - Strong water stream, activates and refreshes body, Relaxing - Soft water stream, pleasant for entire body
- 3 spray functions



## Technical data

### Flow properties

Eco-flow at 3 bar	<b>9.0 l/min</b>
Flow-rate at 3 bar	<b>18.0 l/min</b>
Flow-rate at 3 bar (with flow controller)	<b>15.0 l/min</b>

### Technical properties

Hot water supply	<b>max. +65°C</b>
Working pressure	<b>0.5-5 bar</b>
Connection size	<b>G1/2</b>
Diameter	<b>Ø 18 mm</b>
Installation width	<b>max 920 mm</b>
Length / Height	<b>960 mm</b>

### Regulations

EN standard	<b>EN 1112, EN 1113</b>
-------------	-------------------------

### Approvals and Declarations

Declaration of conformity	<b>DoC</b>
EPD	<b>S-P-06395</b>

### Sustainability

EPD module A1 (kg CO2 eq.)	<b>5,26</b>
EPD module A2 (kg CO2 eq.)	<b>0,26</b>
EPD module A3 (kg CO2 eq.)	<b>0,61</b>
EPD module A1-A3 (kg CO2 eq.)	<b>6,13</b>
EPD module A4 (kg CO2 eq.)	<b>0,26</b>
EPD module B7 (kg CO2 eq.)	<b>1582,50</b>
EPD module C2 (kg CO2 eq.)	<b>0,01</b>
EPD module C3 (kg CO2 eq.)	<b>0,00</b>
EPD module C4 (kg CO2 eq.)	<b>1,63</b>
EPD module D (kg CO2 eq.)	<b>-0,68</b>

