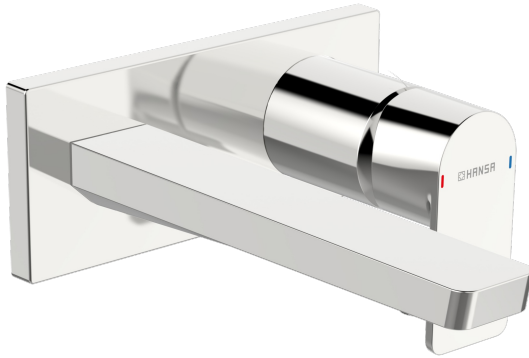


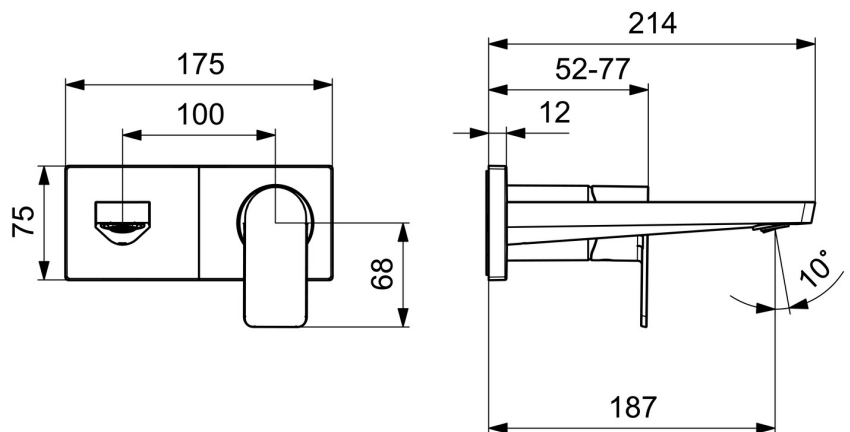
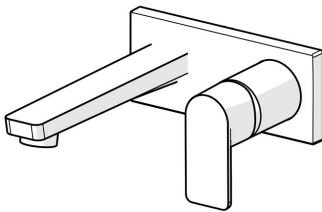
EAN: 4057304015236

static.hansa.com/44902173



Designed with an elegant touch in chrome finish, this washbasin faucet is sure to elevate your washroom experience. The trim kit and single-lever make it easy to use, while the hot and cold symbols on the single operating handle offer clear indication for adjusting temperature. The fixed spout ensures efficient water flow and the concealed wall-mounting installation type maintains the sleek design. Additionally, the inner body is made of corrosion resistant brass, ensuring durability and longevity. This product is a top-highlight and delivers an outstanding performance that will leave a lasting impression.

- Washbasin
- Trim Kit, Single-lever
- Concealed wall mounting
- Chrome
- Fixed spout
- PCA® - constant flow rate regardless of pressure variations, Adjustable flow angle
- Single operating lever/handle, Hot/Cold symbols
- Limitation option for maximum temperature and flow-rate
- ø 40 mm ceramic cartridge for flow and temperature control
- Inner body made of DZR brass
- Square rosette, Sleeve



Technical data

Flow properties

Flow-rate at 3 bar (with flow controller) **4.8 l/min**

Technical properties

Hot water supply **max. +80°C**
 Working pressure **0.5-10 bar**
 Connection size **G1/2**
 Projection **187 mm**
 Backflow prevention (EN1717) **AA**
 Material **Brass**

Regulations

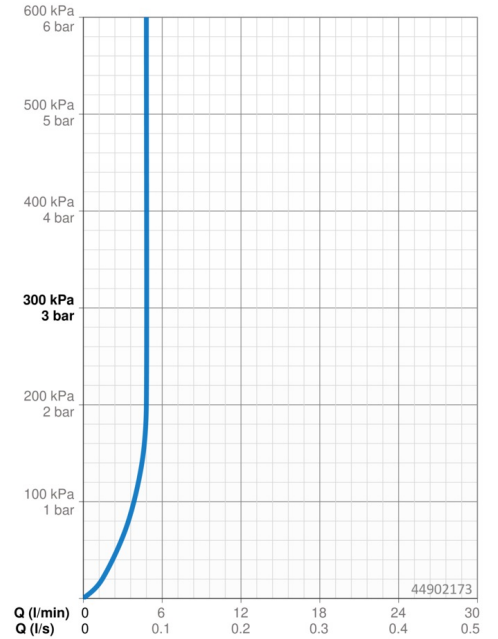
EN standard **EN 817**
 Noise class **I (ISO 3822)**

Approvals and Declarations

Declaration of conformity **DoC**
 EPD **S-P-06391**

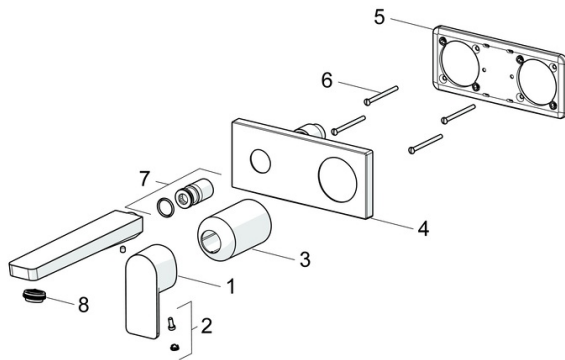
Sustainability

EPD module A1 (kg CO2 eq.) **6,90**
 EPD module A2 (kg CO2 eq.) **0,33**
 EPD module A3 (kg CO2 eq.) **0,65**
 EPD module A1-A3 (kg CO2 eq.) **7,89**
 EPD module A4 (kg CO2 eq.) **0,22**
 EPD module B7 (kg CO2 eq.) **1483,20**
 EPD module C2 (kg CO2 eq.) **0,01**
 EPD module C3 (kg CO2 eq.) **0,02**
 EPD module C4 (kg CO2 eq.) **0,06**
 EPD module D (kg CO2 eq.) **-5,61**



Spare parts

SP44902173



	Name	Code
01	Lever	1009774V
02	Symbol plug	59914573
03	Cover sleeve	59914572
04	Cover plate, 175x75	59913866
05	Cover plate holder	59913697
06	Screw, M4x55	59913698
07	Threaded sleeve, G1/2	59913865
08	Aerator, M24x1 HC SSR-STD	59914015