

## AXOR Citterio C

Single lever basin mixer for concealed installation wall-mounted with spout 195 mm

Finish: **Chrome** Article Number: **49110000**



### product features

- consists of: single lever basin mixer for concealed installation wall-mounted, waste set
- projection: 193 mm
- handle variant: lever handle
- spray type: normal spray
- maximum flow rate at 3 bar: 5 l/min
- ceramic cartridge
- suitable for continuous flow water heaters
- non-closing waste set
- connection type: basic set
- connection dimension: DN15
- handle can be positioned on the right or left, depending on the basic set installation
- EU taxonomy: max. 6 l/min - Substantial Contribution (SC) possible

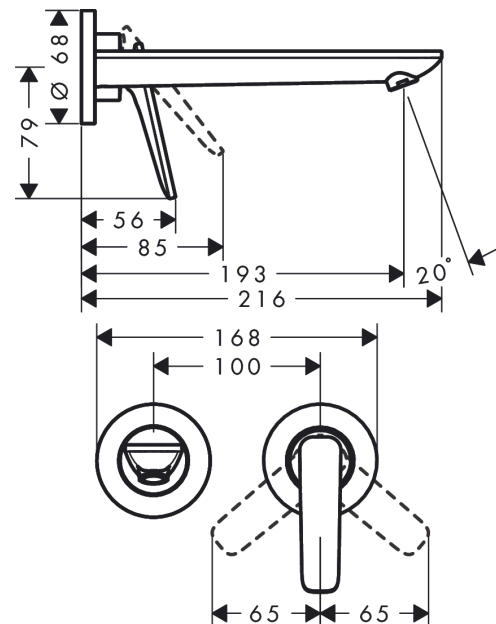
### Technology



### Product image



### Scale drawing



## AXOR Citterio C

Single lever basin mixer for concealed installation wall-mounted with spout 195 mm

Finish: **Chrome** Article Number: **49110000**



### Flowchart



## AXOR Citterio C

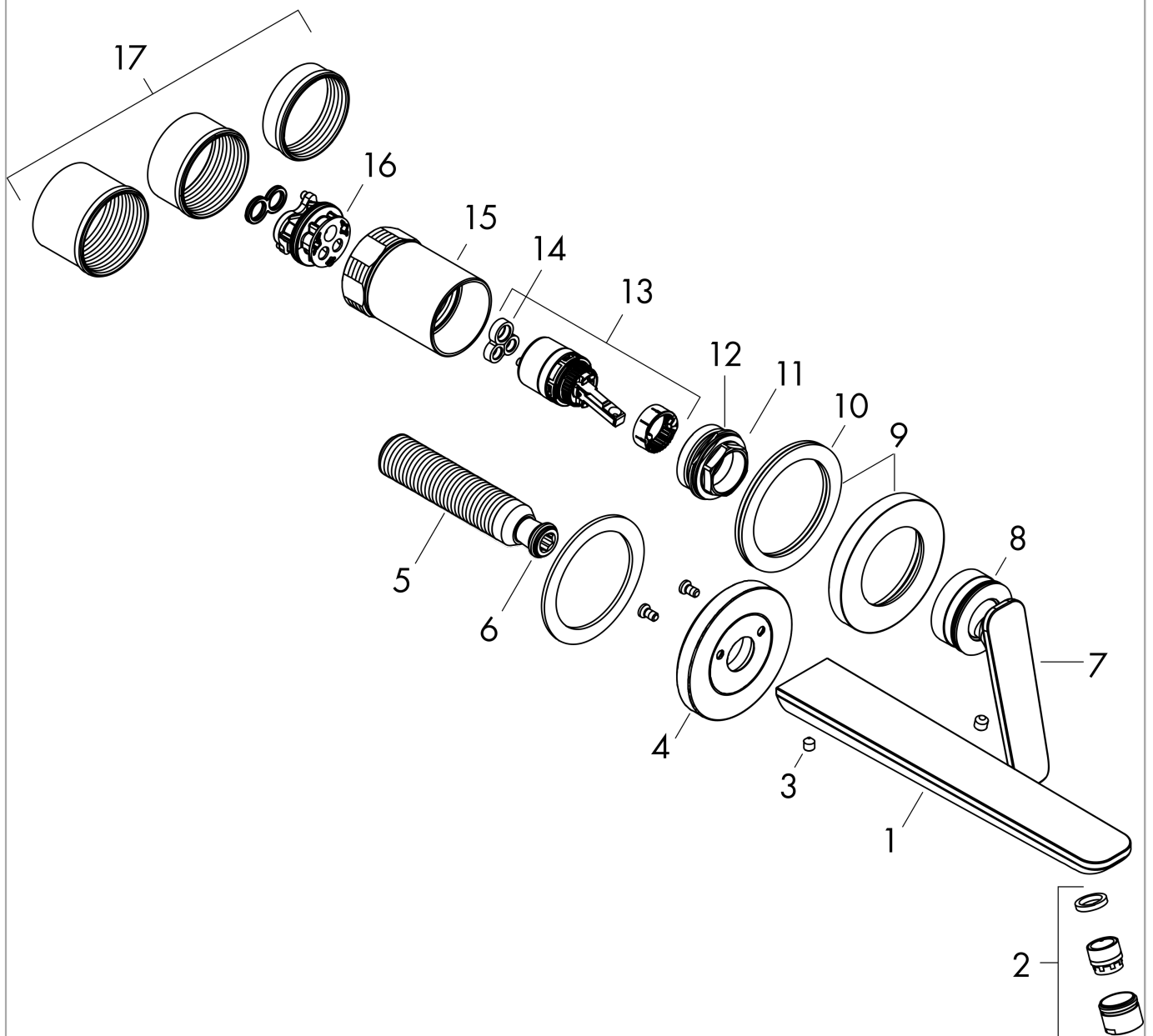
Single lever basin mixer for concealed installation wall-mounted with spout 195 mm

Finish: **Chrome** Article Number: **49110000**



### Exploded Drawing

Year of production: >06/24



## AXOR Citterio C

Single lever basin mixer for concealed installation wall-mounted with spout 195 mm

Finish: **Chrome** Article Number: **49110000**



### Spare part list

Year of production: >06/24

Pos.		Article Number	PC	PU
1	spout cpl.	87789000	15	1
2	aerator M18x1 (5 l/min)	95384000	9	1
3	hollow set screw M5x6	94810000	2	1
4	escutcheon for spout	87790000	8	1
5	connecting thread G½	98933000	11	1
6	O-ring 11x2	98127000	1	1
7	handle	87787000	15	1
8	O-ring 33x1,5	98164000	1	1
9	escutcheon for handle	96909000	12	1
10	washer	97600000	4	1
11	nut	92926000	5	1
12	O-ring 30x1,5	98433000	1	1
13	cartridge, assy	92900000	10	1
14	seal	93383000	4	1
15	sleeve	93373000	14	1
16	O-ring 26x2	98147000	1	1
17	fixing set	97971000	9	1
a	extension 25 mm	13586000	98	1
b	pop up waste	51301000	98	1