

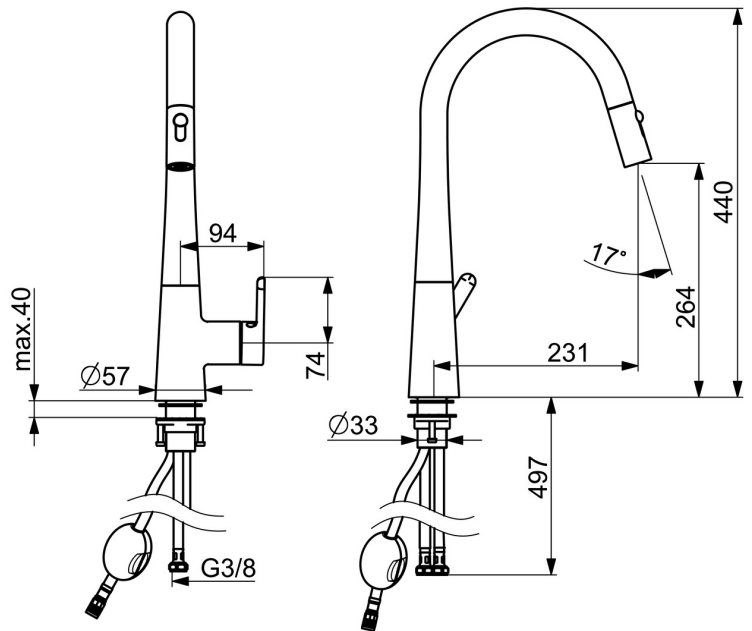
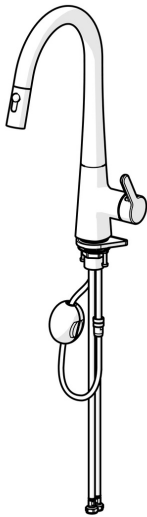
EAN: 4057304020186

[static.hansa.com/5136228333](https://static.hansa.com/5136228333)

single-lever kitchen mixer, DN 15



- Kitchen
- Single-lever, side operated
- Deck mounted
- Matt black
- Swivel spout, Pull-out model, Swivel range limiting option
- Single operating lever/handle, Hot/Cold symbols
- Limitation option for maximum temperature and flow-rate
- ø 40 mm ceramic cartridge for flow and temperature control
- Flexible inlet pipes
- Soft- and Needle-Spray
- 2 spray functions



## Technical data

### Flow properties

Flow-rate at 3 bar	<b>9.6 l/min</b>
Pressure loss with flow (0.2 l/s)	<b>3 bar</b>

### Technical properties

DN-size (nominal dimension)	<b>DN15</b>
Hot water supply	<b>max. +70°C</b>
Working pressure	<b>0.5-10 bar</b>
Connection size	<b>G3/8</b>
Projection	<b>231 mm</b>
Backflow prevention (EN1717)	<b>EB</b>
Material	<b>Brass</b>

### Regulations

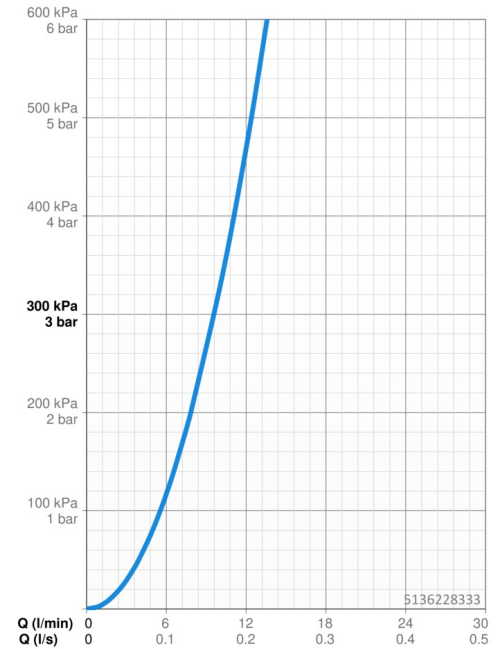
EN standard	<b>EN 817</b>
Noise class	<b>I (ISO 3822)</b>

### Approvals and Declarations

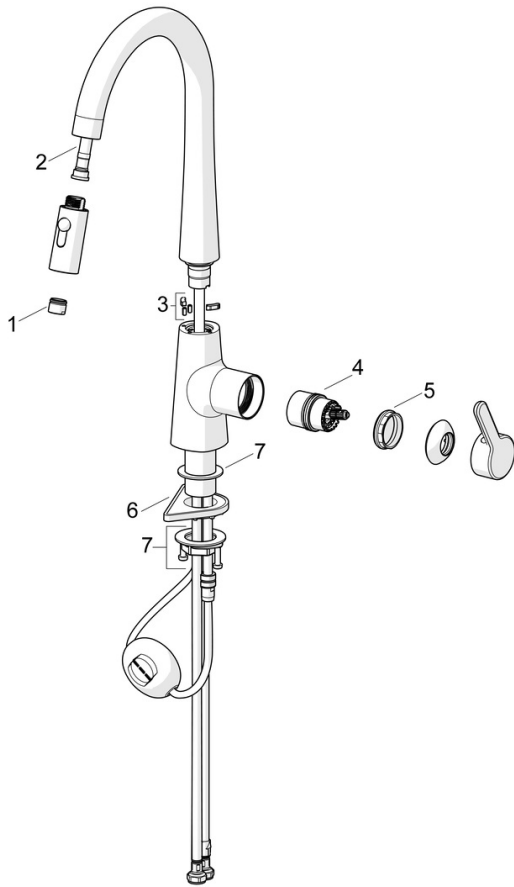
Declaration of conformity	<b>DoC</b>
EPD	<b>S-P-06396</b>

### Sustainability

EPD module A1 (kg CO2 eq.)	<b>16,25</b>
EPD module A2 (kg CO2 eq.)	<b>0,77</b>
EPD module A3 (kg CO2 eq.)	<b>7,15</b>
EPD module A1-A3 (kg CO2 eq.)	<b>24,16</b>
EPD module A4 (kg CO2 eq.)	<b>0,48</b>
EPD module B7 (kg CO2 eq.)	<b>3782,40</b>
EPD module C2 (kg CO2 eq.)	<b>0,04</b>
EPD module C3 (kg CO2 eq.)	<b>0,04</b>
EPD module C4 (kg CO2 eq.)	<b>0,73</b>
EPD module D (kg CO2 eq.)	<b>-13,66</b>



## Spare parts



### SP51362283CLR

	Name	Code
01	Aerator	59914583
02	Hose, L=1500, G1/2-M14x1	59914690
03	Spout overturning stopper, 60°/0° Discontinued	59914281
04	Cartridge	59914665
05	Tightening nut, M42x1.5, SW 38	59914128
06	Supporting plate	59910008
07	Fixing set	59913371