

EAN: 4057304021992
static.hansa.com/5244226733



The HANSAVANTIS is the perfect fit for any bathroom, with a proven expert quality you can rely on, no matter your specific needs. Durable and long-lasting in both design and service life, this faucet brings you joy and confidence for years to come.

Functional considerations and a dedicated level of detail offer a new user experience.

Elegant designed Rosetta for good installation coverage

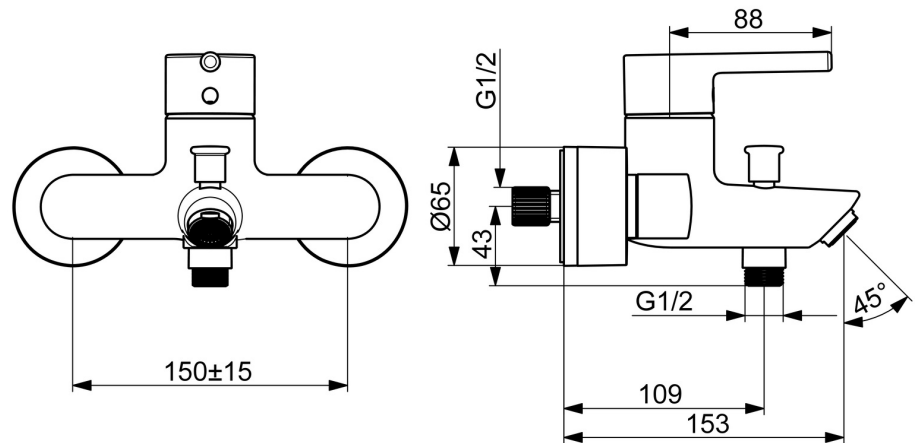
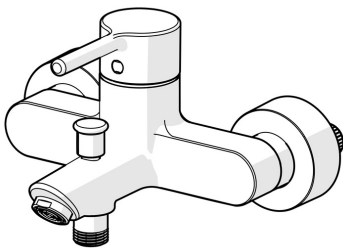
High quality

Sleek design

Made in Europe

Shower and bath faucet with maximum comfort

- Bathtub & Shower
- Single-lever
- Wall mounted
- Matt black
- Fixed spout
- Standard aerator
- Single operating lever/handle, Pin shape, Hot/Cold symbols
- Pull operated diverter, Automatic reset
- Limitation option for maximum temperature and flow-rate, Adjustable hot water stop (included, retrofittable)
- ø 40 mm ceramic cartridge for flow and temperature control
- Eccentric coupling(s), Cover plate(s)
- Inner body made of DZR brass
- protected against back-flow in domestic use (according to DIN EN 1717)



Technical data

Flow properties

Flow-rate at 3 bar **21.0 / 15.0 l/min**

Technical properties

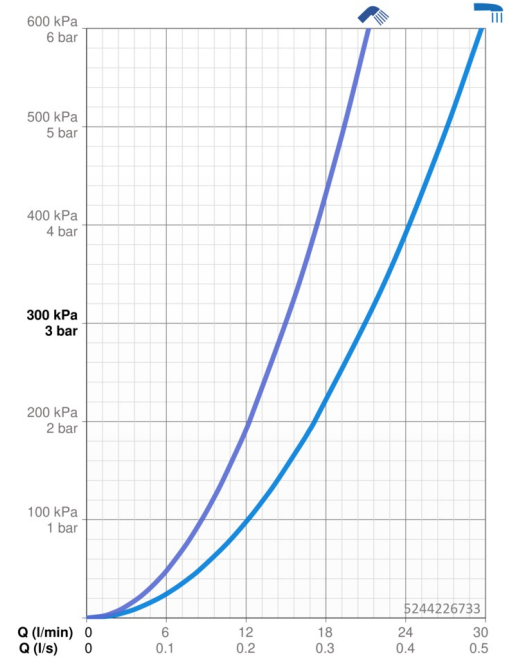
Hot water supply **max. +80°C**
 Working pressure **0.5-10 bar**
 Connection size **G3/4**
 Installation width **150 ± 15 mm**
 Projection **154 mm**
 Backflow prevention (EN1717) **EB**
 Material **Brass**

Regulations

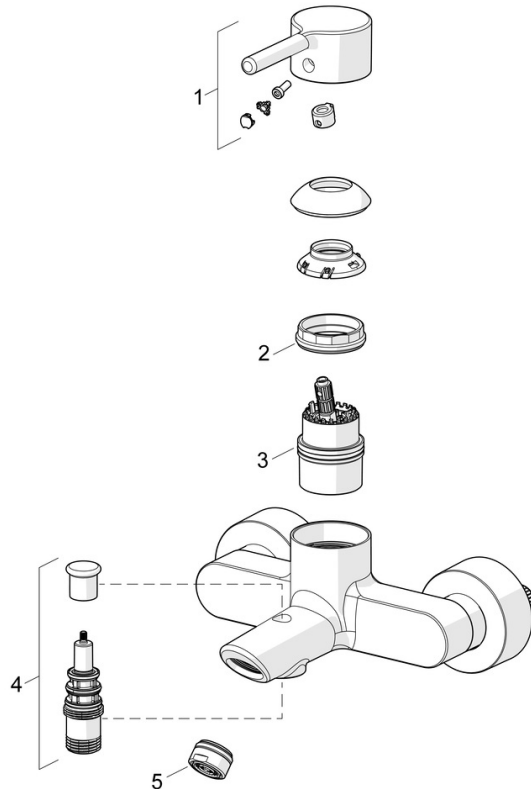
EN standard **EN 817**
 Noise class **II (ISO 3822)**

Approvals and Declarations

Declaration of conformity **DoC**



Spare parts



SP5244226733

	Name	Code
01	Lever Matt black	1014994V-33
02	Tightening nut, M42x1.5, SW 38	59914128
03	Cartridge	59914665
04	Diverter Matt black	1017316V-33
05	Aerator, STD M24x1 CC D Matt black	1018460V-33
N.I.	Non-return valve	59905714