

EAN: 4057304017278

static.hansa.com/54802107

The HANSAVANTIS is the perfect fit for any bathroom, with a proven expert quality you can rely on, no matter your specific needs. Durable and long-lasting in both design and service life, this faucet brings you joy and confidence for years to come.

Functional considerations and a dedicated level of detail offer a new user experience.

Elegant and clean designed

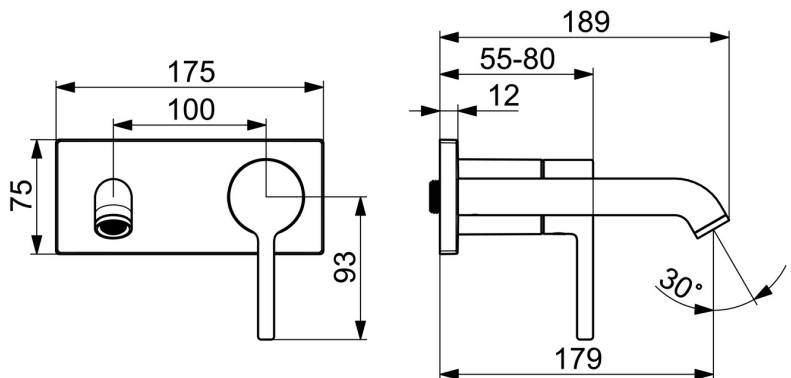
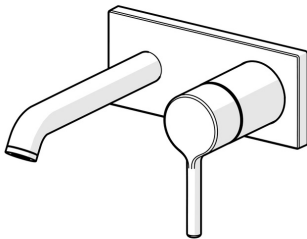
High quality

Sleek design

Made in Europe

Washbasin faucet with maximum comfort

- Washbasin
- Trim Kit, Single-lever
- Concealed wall mounting
- Chrome
- Fixed spout
- PCA® - constant flow rate regardless of pressure variations
- Single operating lever/handle, Pin shape, Hot/Cold symbols
- Limitation option for maximum temperature and flow-rate, Adjustable hot water stop (included, retrofittable)
- Inner body made of DZR brass
- Rosette plate frame, Square rosette



Technical data

Flow properties

Flow-rate at 3 bar	6.0 l/min
Flow-rate at 3 bar (with flow controller)	6.0 l/min

Technical properties

Hot water supply	max. +80°C
Working pressure	0.5-10 bar
Connection size	G1/2
Projection	179 mm
Backflow prevention (EN1717)	AA
Material	Brass

Regulations

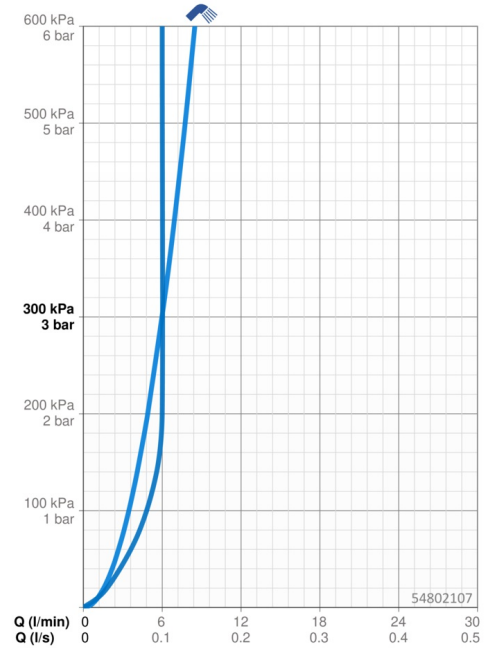
EN standard	EN 817
-------------	---------------

Approvals and Declarations

Declaration of conformity	DoC
EPD	S-P-07752

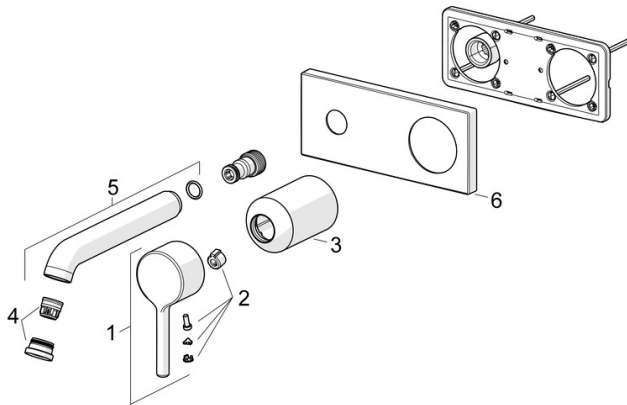
Sustainability

EPD module A1 (kg CO2 eq.)	8,31
EPD module A2 (kg CO2 eq.)	0,26
EPD module A3 (kg CO2 eq.)	5,18
EPD module A1-A3 (kg CO2 eq.)	13,70
EPD module A4 (kg CO2 eq.)	0,23
EPD module B7 (kg CO2 eq.)	1158,00
EPD module C2 (kg CO2 eq.)	0,01
EPD module C3 (kg CO2 eq.)	0,01
EPD module C4 (kg CO2 eq.)	0,18
EPD module D (kg CO2 eq.)	-4,24



Spare parts

SP54802107



	Name	Code
01	Lever	1014994V
02	Symbol plug	59914573
03	Cover sleeve	59914572
04	Aerator and key, PCA 5.7 l/min	1012273V
05	Spout	1012276V
06	Cover plate, 175x75 mm	1012277V