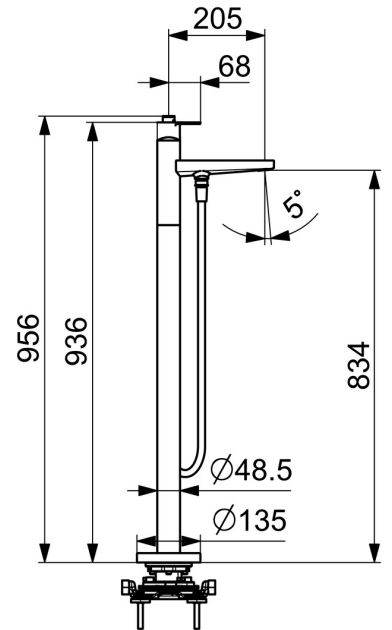
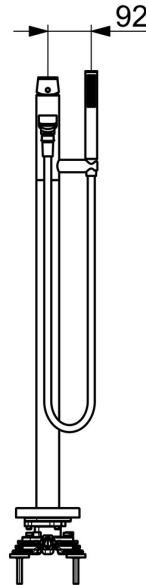
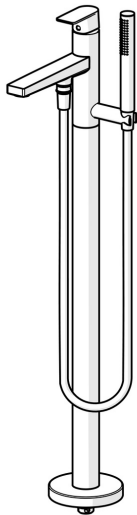


EAN: 4057304015380
static.hansa.com/57252073



This bath faucet, floor mounting, offers a stunning sleek chrome finish and is perfect for luxurious bathtub and shower experiences for any bathroom style. This top-rated product features a single-lever, hot/cold symbols, and a casted construction spout. It also includes a hand shower, shower holder, and shower hose for versatile use. The pull-operated diverter and intense, invigorating water stream provide a unique shower experience. The inner body is made of corrosion resistant brass for added durability. Upgrade your bathroom with this timeless elegance for any bathroom design.

- Bathtub & Shower
- Single-lever
- Floor standing
- Chrome
- Casted construction
- Hidden aerator
- Single operating lever/handle, Hot/Cold symbols
- Pull operated diverter
- Hand shower, Shower holder, Shower hose (1250 mm)
- Intense - invigorating water stream
- Limitation option for maximum temperature and flow-rate, Adjustable hot water stop (included, retrofittable)
- \varnothing 40 mm ceramic cartridge for flow and temperature control
- Straight coupling(s)
- Inner body made of DZR brass
- 1 spray function



Technical data

Flow properties

Flow-rate at 3 bar **20.4 / 13.8 l/min**

Technical properties

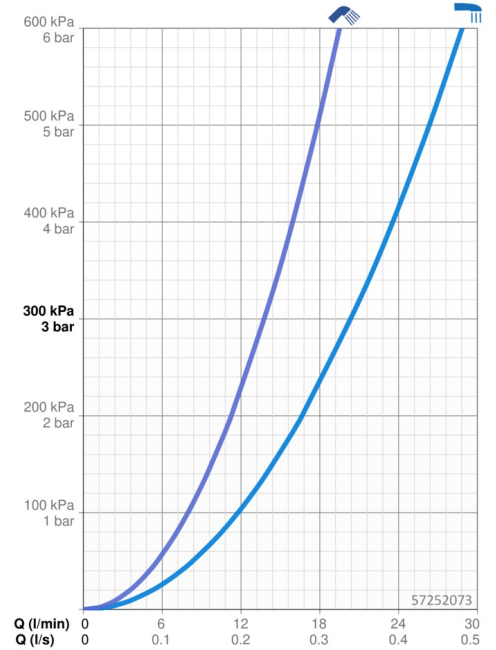
Hot water supply **max. +80°C**
 Working pressure **0.5-10 bar**
 Connection size **G1/2**
 Projection **209 mm**
 Backflow prevention (EN1717) **EB**
 Material **Brass**

Regulations

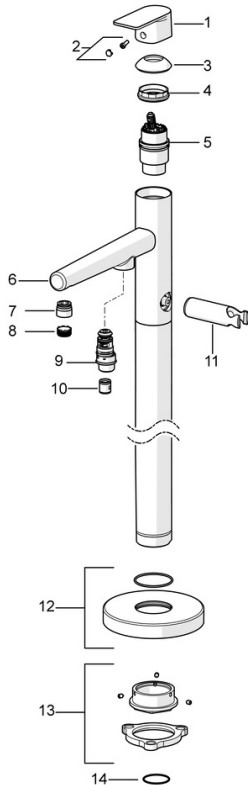
EN standard **EN 817**
 Noise class **I (ISO 3822)**

Approvals and Declarations

Declaration of conformity **DoC**



Spare parts



SP57252073

	Name	Code
01	Lever	1009774V
02	Symbol plug	59914573
03	Covering cap	59914649
04	Tightening nut, M42x1.5, SW 38	59914128
05	Cartridge, 4.0 Classic	59914129
06	Spout Discontinued	59914661
07	Fitting ring for aerator	59914645
07	Fitting ring for aerator, M24x1, SW17, (2019-)	59914744
08	Aerator, M24x1	59913132
08	Aerator, M18.5x1	59914662
09	Diverter	59914663
10	Non-return valve	59905714
11	Hand shower holder Discontinued	59913718
12	Cover plate Discontinued	59914664
13	Fixing set Discontinued	59913723
14	O-ring, d 35x2	59913715