

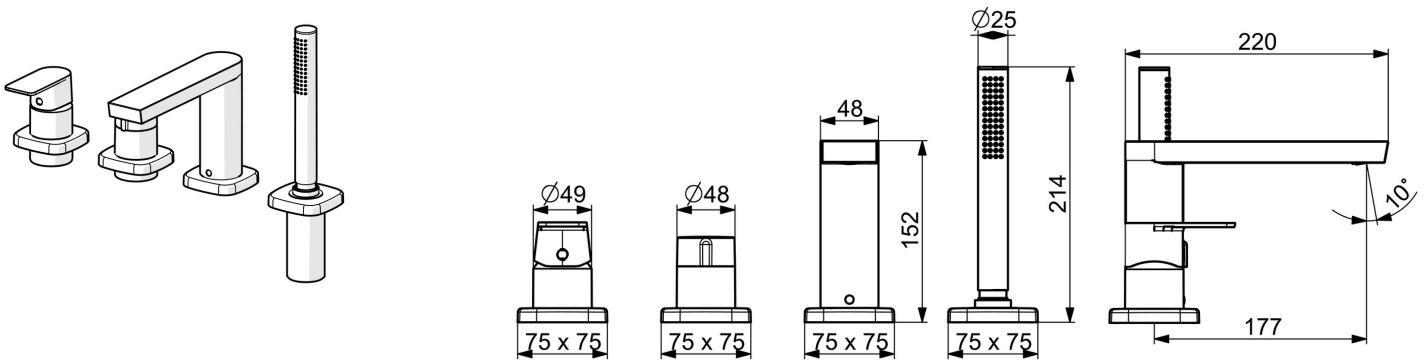
EAN: 4057304015304

static.hansa.com/57302173

Edgy designed combined with a sleek elegant finish, making this faucet the perfect addition to your contemporary bathtub and shower area. The trim kit and single-lever features make it easy to adjust the temperature and flow of water with a simple movement. This faucet is perfect for rim-mounted installation and comes with a turn operated diverter, making it easy to switch between bath and shower functions. The advanced inner body made of corrosion resistant brass ensures durability and high-temperature resistance. This top-rated product provides excellent functionality and timeless elegance for any bathroom design.



- Bathtub & Shower
- Trim Kit, Single-lever
- Rim mounted
- Chrome
- Single operating lever/handle, Hot/Cold symbols
- Turn operated diverter
- Limitation option for maximum temperature and flow-rate
- ø 40 mm ceramic cartridge for flow and temperature control, Non-return valve(s)
- Inner body made of DZR brass
- Soft edge rosette, Sleeve



Technical data

Flow properties

Flow-rate at 3 bar **20.4 / 13.2 l/min**

Technical properties

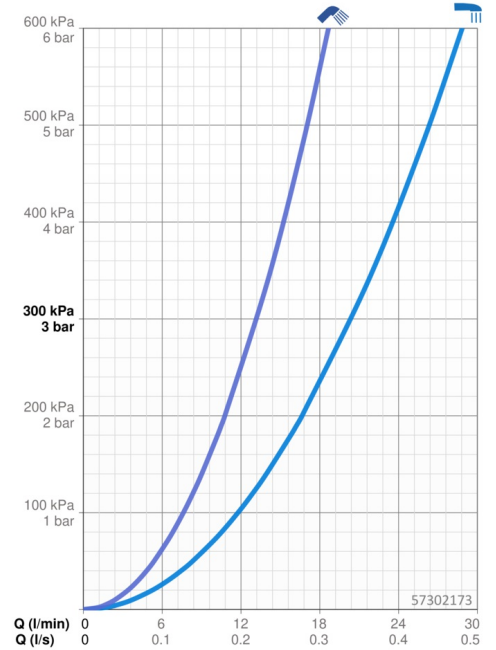
Hot water supply **max. +80°C**
 Working pressure **0.5-10 bar**
 Connection size **G1/2**
 Backflow prevention (EN1717) **EB**
 Material **Brass**

Regulations

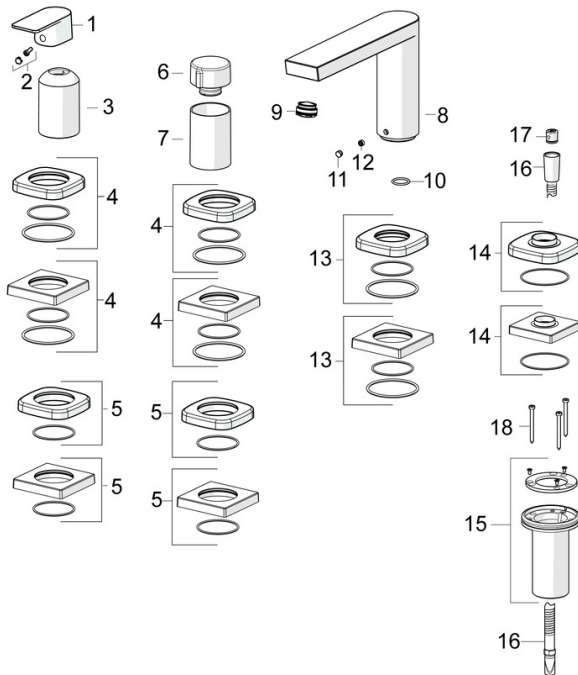
EN standard **EN 817**
 Noise class **I (ISO 3822)**

Approvals and Declarations

Declaration of conformity **DoC**



Spare parts



SP57302473

| | Name | Code |
|----|---|----------|
| 01 | Lever | 1009774V |
| 02 | Symbol plug | 59914573 |
| 03 | Cover sleeve | 59914572 |
| 04 | Cover flange, 75x75 mm | 59914213 |
| 04 | Cover plate, 75x75 mm, for Compact Discontinued | 59914675 |
| 05 | Cover flange, 75x75 mm | 59914214 |
| 05 | Cover plate, 75x75 mm Discontinued | 59914676 |
| 06 | Flow control handle | 59914669 |
| 07 | Cover sleeve | 59914671 |
| 08 | Spout, L=178 Discontinued | 59913290 |
| 09 | Aerator, M24x1 STD D CC-XT | 59913760 |
| 10 | O-ring, d 18x2 | 59913291 |
| 11 | Cover plug | 59911840 |
| 12 | Screw, M6x9.5 | 59901609 |
| 13 | Cover flange, 75x75 mm Discontinued | 59914211 |
| 13 | Cover plate, 75x75 mm Discontinued | 59914678 |
| 14 | Cover flange, 75x75 mm | 1003885V |
| 14 | Cover plate, 75x75 mm Discontinued | 59914677 |
| 15 | Passing-through bushing | 59914673 |
| 16 | Shower hose, L=1750, G1/2-M12x1 | 59912281 |
| 17 | Non-return valve | 59905714 |
| 18 | Screw, M4x45 | 59912291 |