

## Metropol

Single lever basin mixer for concealed installation wall-mounted with lever handle and spout  
22.5 cm

Surfaces: **Brushed Black Chrome** Article Number: **32526340**



### Description

#### product features

- consists of: single lever basin mixer for concealed installation wall-mounted, waste set
- projection 225 mm
- spray type: normal spray
- flow rate at 3 bar: 5 l/min
- ceramic cartridge
- temperature limitation adjustable
- suitable for continuous flow water heaters
- non-closing waste set
- material waste set: metal
- connection type: basic set
- connection dimension: DN15
- handle can be positioned on the right or left, depends on the basic set installation

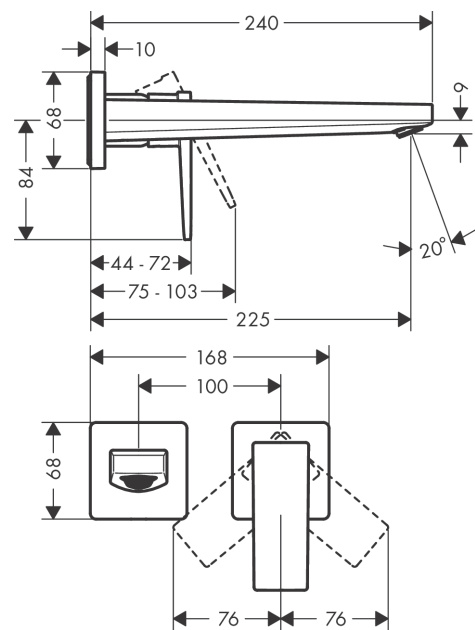
### Technology



### Product image



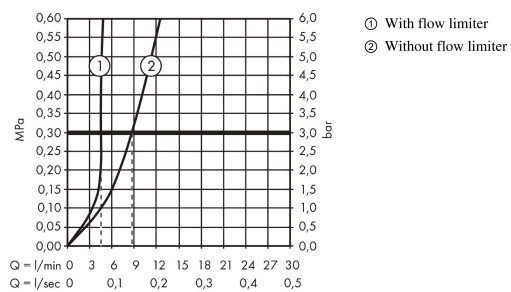
### Scale drawing



**Metropol**  
**Single lever basin mixer for concealed installation wall-mounted with lever handle and spout**  
**22.5 cm**  
 Surfaces: **Brushed Black Chrome**    Article Number: **32526340**



### Flowchart

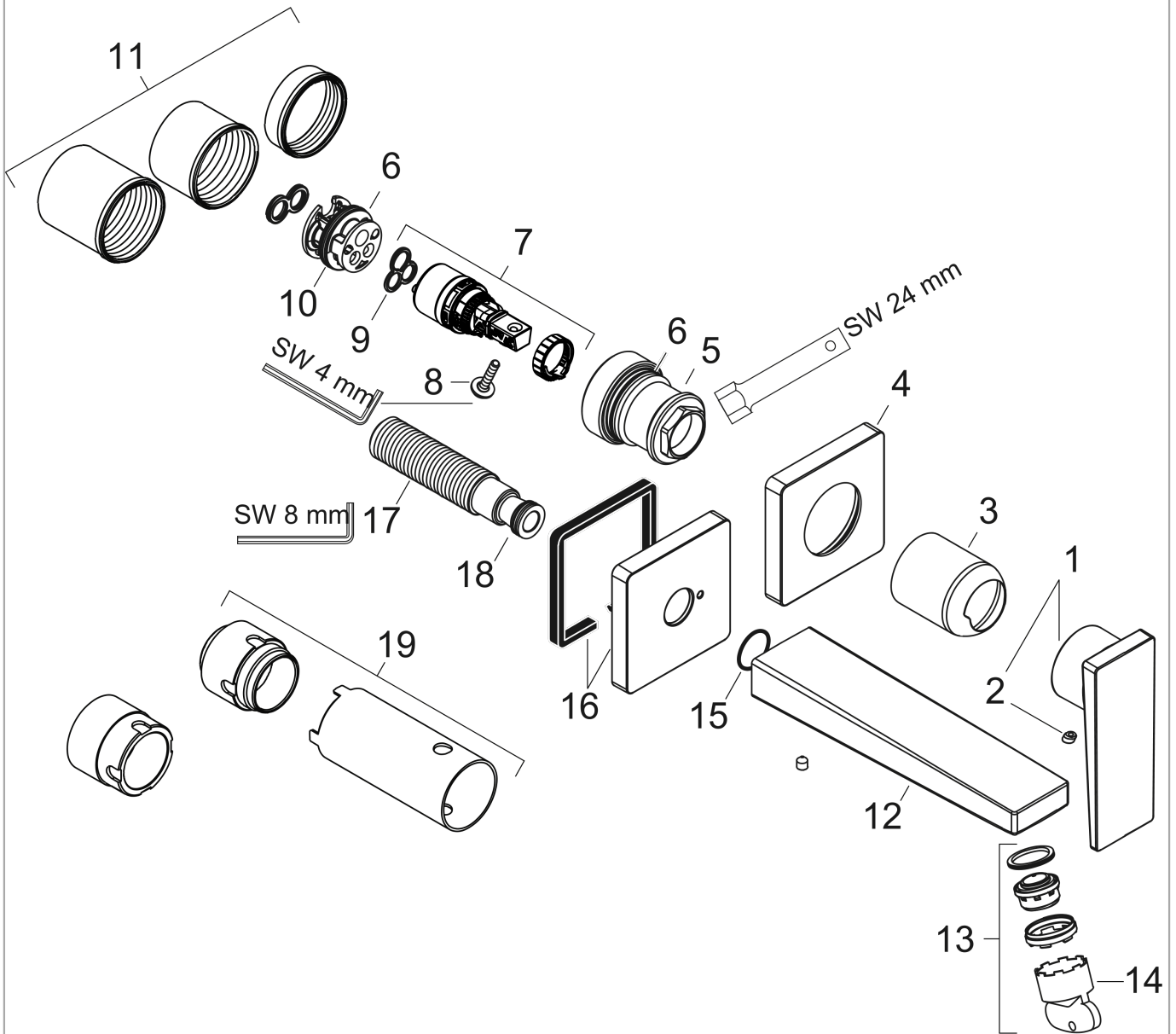


**Metropol**  
**Single lever basin mixer for concealed installation wall-mounted with lever handle and spout**  
**22.5 cm**  
 Surfaces: **Brushed Black Chrome**    Article Number: **32526340**



**Exploded Drawing**

Year of production: >11/19



## Metropol

Single lever basin mixer for concealed installation wall-mounted with lever handle and spout  
22.5 cm

Surfaces: **Brushed Black Chrome** Article Number: **32526340**



### Spare part list

Year of production: >11/19

| Pos. | Description                       | Article Number | Price | PU |
|------|-----------------------------------|----------------|-------|----|
| 1    | handle                            | 93163340       | -     | 1  |
| 2    | screw cover                       | 96338000       | -     | 1  |
| 3    | sleeve                            | 93053340       | -     | 1  |
| 4    | escutcheon for handle             | 93161340       | -     | 1  |
| 5    | nut                               | 93141000       | -     | 1  |
| 6    | O-ring 26x2                       | 98147000       | -     | 1  |
| 7    | cartridge, assy                   | 97685000       | -     | 1  |
| 8    | locking screw for handle          | 95140000       | -     | 1  |
| 9    | seal                              | 98865000       | -     | 1  |
| 10   | adapter for cartridge             | 95634000       | -     | 1  |
| 11   | fixing set                        | 97971000       | -     | 1  |
| 12   | spout 225 mm                      | 93166340       | -     | 1  |
| 13   | aerator M24x1 (5 l/min)           | 92996000       | -     | 1  |
| 14   | service tool                      | 95661000       | -     | 1  |
| 15   | O-ring 18x1,5                     | 98231000       | -     | 1  |
| 16   | escutcheon for spout              | 93162340       | -     | 1  |
| 17   | connecting thread G½              | 95626000       | -     | 1  |
| 18   | O-ring 13x2                       | 98128000       | -     | 1  |
| 19   | extension set 25 mm for 13622180  | 31971000       | -     | 1  |
| a    | base body                         | 13622180       | -     | 1  |
| b    | waste                             | 50001340       | -     | 1  |
| c    | adapter for exchanged connections | 93819000       | -     | 1  |