

## Metropol

### Single lever bath mixer for exposed installation with lever handle

Surfaces: **Polished Gold Optic** Article Number: **32540990**



#### Description

##### product features

- 2 functions
- projection 180 mm
- connection type: s-shaped connections
- centre distance:  $150 \pm 12$  mm
- spray type mixer: normal spray
- flow rate for bath spout at 3 bar: 22 l/min
- flow rate of hand shower at 3 bar: 16 l/min
- min. operating pressure: 1 bar
- max. operating pressure: 10 bar
- ceramic cartridge
- temperature limitation adjustable
- diverter with automatic resetting
- protected against backflow, according to DIN EN 1717
- suitable for continuous flow water heaters
- connection dimension: DN15

#### Technology



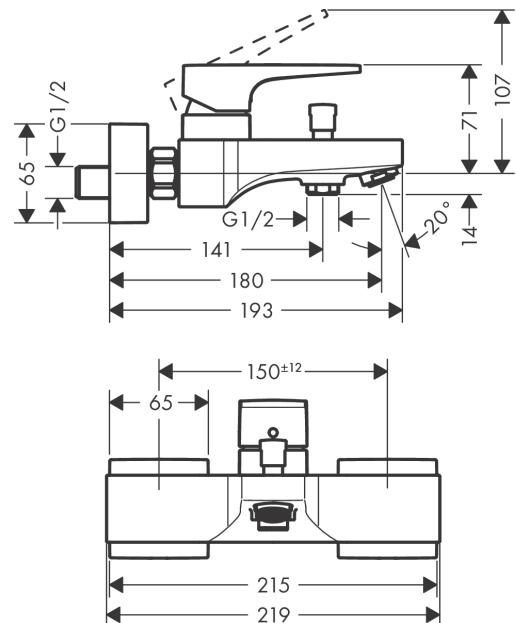
#### Design awards



#### Product image



#### Scale drawing



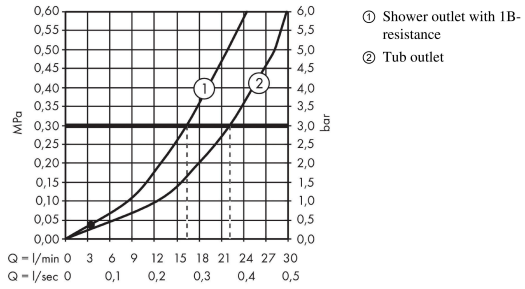
**Metropol**

**Single lever bath mixer for exposed installation with lever handle**

Surfaces: **Polished Gold Optic** Article Number: **32540990**



**Flowchart**



**Metropol**

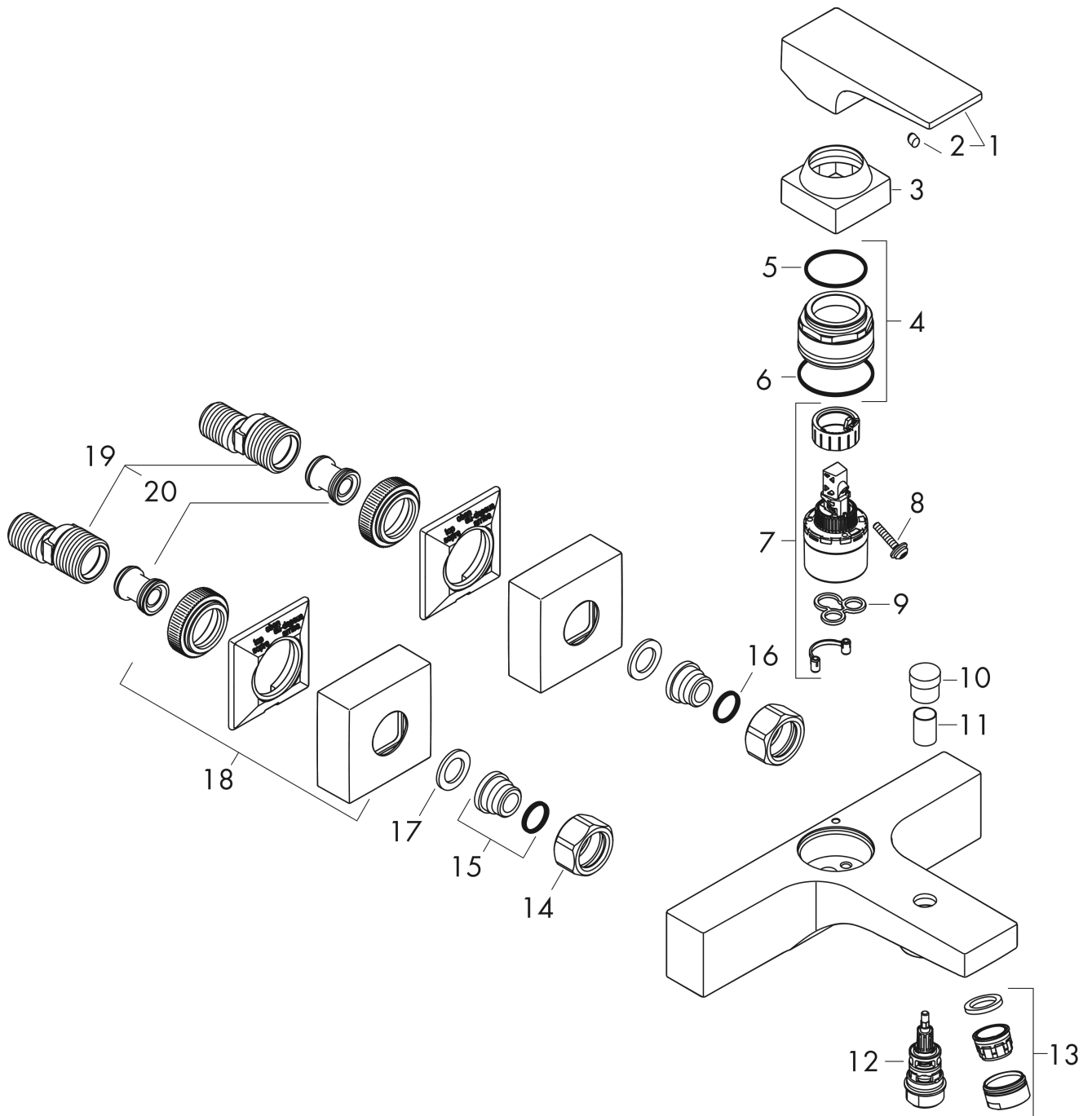
**Single lever bath mixer for exposed installation with lever handle**

Surfaces: **Polished Gold Optic** Article Number: **32540990**



**Exploded Drawing**

Year of production: >07/19



## Metropol

Single lever bath mixer for exposed installation with lever handle

Surfaces: **Polished Gold Optic** Article Number: **32540990**



### Spare part list

Year of production: >07/19

Pos.	Description	Article Number	Price	PU
1	handle	93075990	-	1
2	screw cover	96338000	-	1
3	flange	93078990	-	1
4	nut	93079000	-	1
5	O-Ring 30x2	98186000	-	1
6	O-ring 33x1,5	98164000	-	1
7	cartridge, assy	92730000	-	1
8	locking screw for handle	95140000	-	1
9	seal	95008000	-	1
10	diverter knob	97981990	-	1
11	sleeve	97979990	-	1
12	selector	97978000	-	1
13	aerator M24x1 (30 l/min)	96512990	-	1
14	set of nuts	96157990	-	1
15	connecting thread	97220000	-	1
16	O-ring 15x2	98163000	-	1
17	filter packing	96922000	-	1
18	escutcheon	93077990	-	1
19	set of S-unions (±12 mm)	94140000	-	1
20	noise reduction	96429000	-	1