

EAN: 4057304017933
static.hansa.com/65132201



Designed to impress and give an elegant solution for any bathroom.

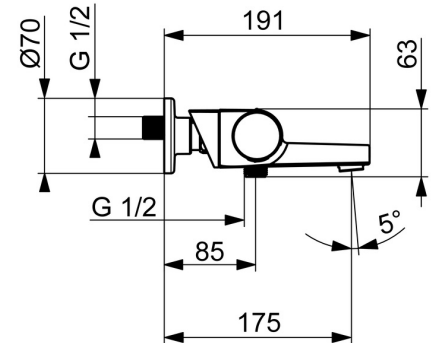
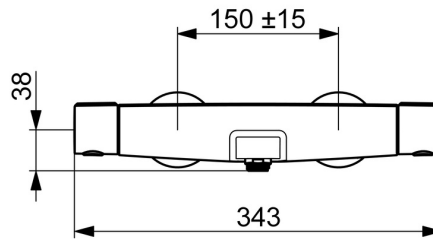
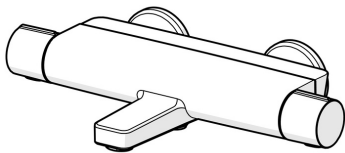
This thermostat gives you a most comfortable and enjoyable shower experience every day. With focus on high performance while still have and eye on the aesthetics and details to secure an elegant installation.

The handles are designed to be elegant while still providing a good grip for easy.

Our new developed magnetic shelf "MagShelf" completes the design while covering the connection to the wall.

Elegant design and total enjoyment

- Bathtub & Shower
- Thermostatic
- Wall mounted
- Chrome
- Fixed spout
- Standard aerator, Adjustable flow angle
- Temperature control handle, Flow control handle, Hot/Cold symbols, Easy-Grip surface, Eco feature for water flow
- Turn operated diverter, Integrated into flow control handle
- MagShelf. Removable shelf with magnetic attachment
- Safety stop against scalding at 38°C, The housing of the fittings conducts minimal heat
- Ceramic head part for flow control, Thermostatic cartridge for automatic temperature control, Non-return valve(s), Litter filter(s)
- Eccentric coupling(s), Cover plate(s), Silencer(s)
- Inner body made of DZR brass



Technical data

Flow properties

Eco-flow at 3 bar	7.2 l/min
Flow-rate at 3 bar	19.2/13.2 l/min
Pressure loss with flow (0.3 l/s)	2.65 bar

Technical properties

Hot water supply	max. +80°C
Working pressure	1-10 bar
Connection size	G3/4
Installation width	150 ± 15 mm
Backflow prevention (EN1717)	EB
Material	Brass/Plastic

Regulations

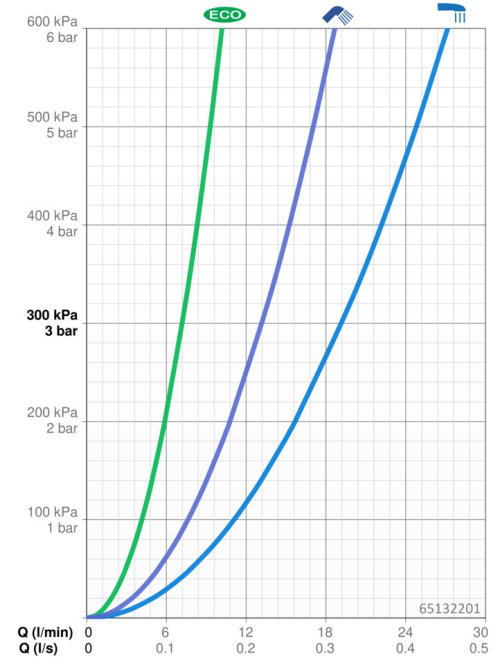
EN standard	EN1111
Noise class	I (ISO 3822)

Approvals and Declarations

Declaration of conformity	DoC
EPD	S-P-06397

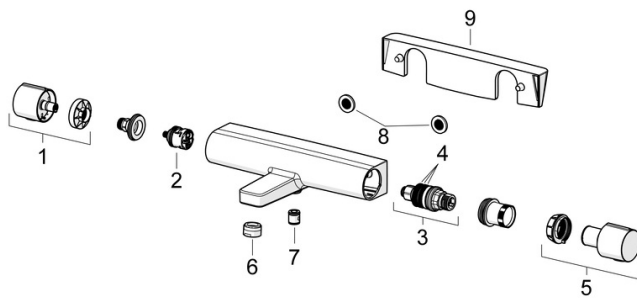
Sustainability

EPD module A1 (kg CO2 eq.)	10,27
EPD module A2 (kg CO2 eq.)	0,48
EPD module A3 (kg CO2 eq.)	1,18
EPD module A1-A3 (kg CO2 eq.)	11,92
EPD module A4 (kg CO2 eq.)	0,43
EPD module B7 (kg CO2 eq.)	1266,00
EPD module C2 (kg CO2 eq.)	0,02
EPD module C3 (kg CO2 eq.)	0,02
EPD module C4 (kg CO2 eq.)	0,85
EPD module D (kg CO2 eq.)	-7,56



Spare parts

SP65132201



	Name	Code
01	Flow control handle	1006775V
02	Diverter	59914183
03	Thermostatic cartridge, 3.4	59914114
04	O-ring kit	59914113
05	Temperature control handle	1006752V
06	Aerator, M24x1 A, low pressure	59902692
07	Non-return valve, DN15	59914250
08	Filter sealing, G3/4	59911076
09	Shelf	1012484V