

EAN: 4057304018046  
[static.hansa.com/65162201](http://static.hansa.com/65162201)



Designed to impress and give an elegant solution for any bathroom.

This rainshower system gives you a most comfortable and enjoyable shower experience every day. With focus on high performance while still have an eye on the aesthetics and details to secure an easy installation.

The handles are designed to be elegant while still providing a good grip for easy.

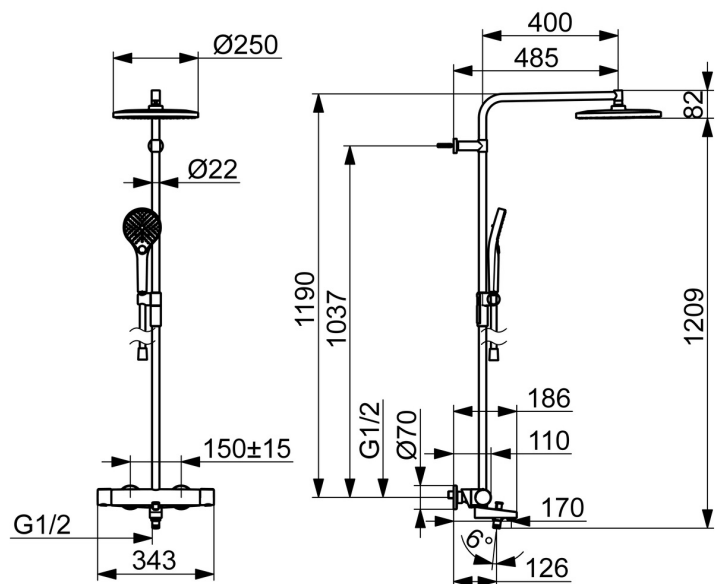
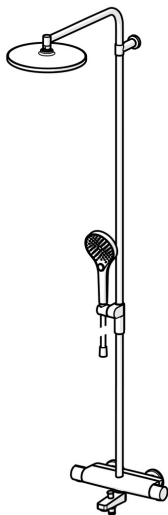
Our new developed magnetic shelf "MagShelf" completes the design while covering the connection to the wall.

The large and flat head shower has a gentle spray that covers the whole body. Enjoy the even and strong water stream for the ultimate relaxation.

Our 3-spray handshower is easy to operate with a nice designed push button to easily change the water sprays.

Elegant design and total enjoyment

- Shower solutions
- Thermostatic
- Wall mounted
- Chrome
- Detachable spout
- Standard aerator
- Temperature control handle, Flow control handle, Hot/Cold symbols, Easy-Grip surface, Eco feature for water flow
- Turn operated diverter, Integrated into flow control handle, Integrated into spout
- Rotatable ball joint connection, Hand shower, Lockable in the middle position, MagShelf. Removable shelf with magnetic attachment, Adjustable shower rail bracket, Swivel overhead shower, Shower hose (1750 mm), Shower rail, Anti limescale technology (easy to clean), Twist guard for shower hose, Variable fixing points
- Normal - Even and soft water stream, Massage - Strong water stream due to rotatable spray nozzles, Rain - Even and strong water stream
- Safety stop against scalding at 38°C, The housing of the fittings conducts minimal heat
- Ceramic head part for flow control, Thermostatic cartridge for automatic temperature control, Non-return valve(s), Litter filter(s)
- Eccentric coupling(s), Cover plate(s), Silencer(s)
- Flexible length / can be shortened, Anti-twist hose connector
- 3 spray functions



## Technical data

### Flow properties

Eco-flow at 3 bar	<b>7.2 l/min</b>
Flow-rate at 3 bar	<b>19.2/13.2 l/min</b>
Pressure loss with flow (0.3 l/s)	<b>2.65 bar</b>

### Technical properties

Hot water supply	<b>max. +80°C</b>
Working pressure	<b>1-10 bar</b>
Connection size	<b>G3/4</b>
Installation width	<b>150 ± 15 mm</b>
Projection	<b>126 mm</b>
Backflow prevention (EN1717)	<b>EB</b>
Material	<b>Brass/Plastic</b>

### Regulations

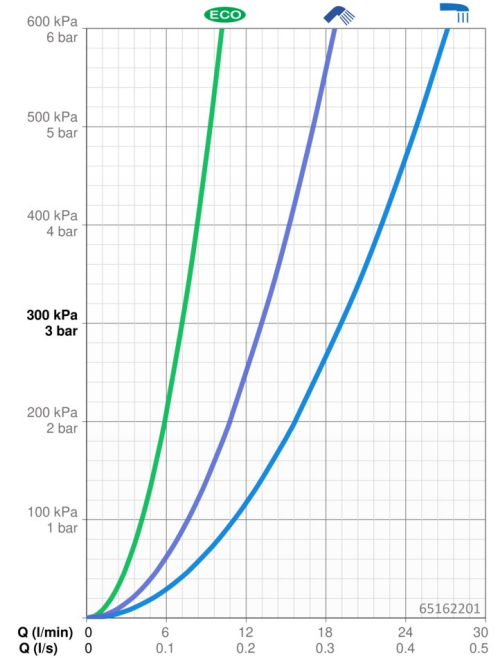
EN standard	<b>EN1111</b>
Noise class	<b>I (ISO 3822)</b>

### Approvals and Declarations

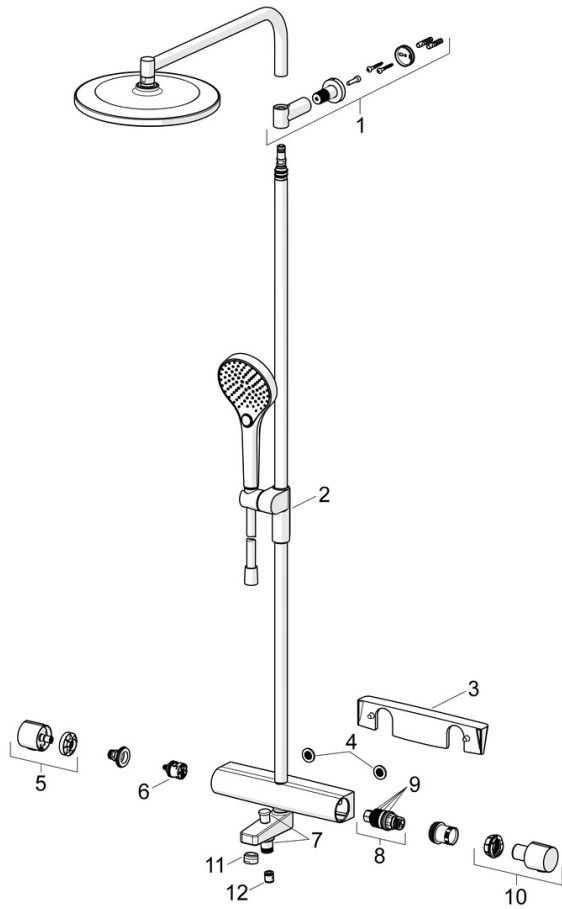
Declaration of conformity	<b>DoC</b>
EPD	<b>S-P-07819</b>

### Sustainability

EPD module A1 (kg CO2 eq.)	<b>26,39</b>
EPD module A2 (kg CO2 eq.)	<b>1,36</b>
EPD module A3 (kg CO2 eq.)	<b>2,79</b>
EPD module A1-A3 (kg CO2 eq.)	<b>30,56</b>
EPD module A4 (kg CO2 eq.)	<b>0,80</b>
EPD module B7 (kg CO2 eq.)	<b>1389,60</b>
EPD module C2 (kg CO2 eq.)	<b>0,06</b>
EPD module C3 (kg CO2 eq.)	<b>0,06</b>
EPD module C4 (kg CO2 eq.)	<b>1,67</b>
EPD module D (kg CO2 eq.)	<b>-19,97</b>



## Spare parts



### SP65162201

	Name	Code
01	Wall bracket	1013325V
02	Slide for shower rail	1012974V
03	Shelf	1012484V
04	Filter sealing, G3/4	59911076
05	Flow control handle	1006775V
06	Diverter	59914183
08	Thermostatic cartridge, 3.4	59914114
09	O-ring kit	59914113
10	Temperature control handle	1006752V
11	Aerator, M24x1 A, low pressure	59902692
12	Non-return valve, DN15	59914250