

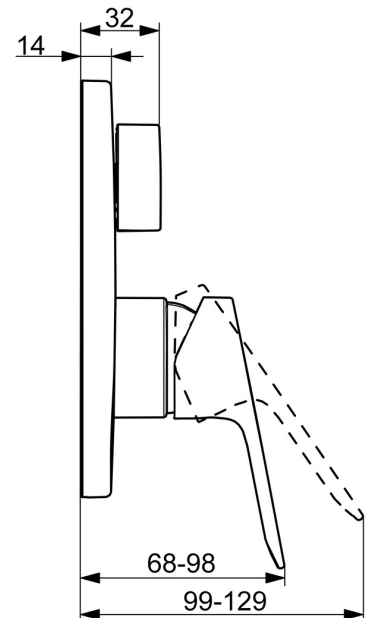
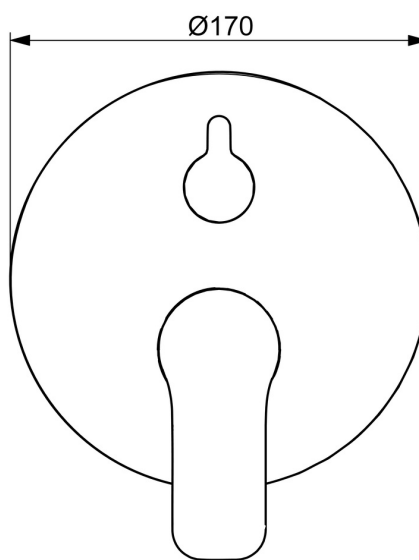
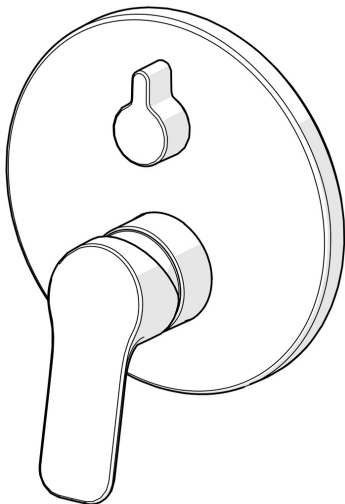
EAN: 4057304019159

static.hansa.com/80559003



Introducing the HANSABASIC bath and shower faucet - a timeless choice for every modern bathroom. This trim kit features a chrome surface treatment and is designed for concealed wall-mounting. With hot and cold symbols and a single-operating lever, this faucet makes controlling the water temperature and flow effortless. The turn-operated diverter makes switching between the bath and shower easy. This faucet not only comes with a universal design but also offers outstanding price-performance ratio. Choose the BASIC line for daily enjoyment in everyday use.

- Bathtub & Shower
- Trim Kit, Single-lever
- Concealed wall mounting
- Chrome
- Hot/Cold symbols, Single operating lever/handle
- Turn operated diverter
- Limitation option for maximum temperature and flow-rate
- ø 35 mm ceramic cartridge for flow and temperature control
- BLUECLICK for an easy, screwless trim plate installation, BLUETUNE alignment after installation of +/- 3,5°, Function unit, Fastening of the function unit with screws, Rosette plate frame, Round rosette, Sleeve



Technical data

Flow properties

Flow-rate at 3 bar **21.0 / 21.0 l/min**

Technical properties

Hot water supply **max. +80°C**
 Working pressure **0.5-10 bar**
 Material **Brass**

Regulations

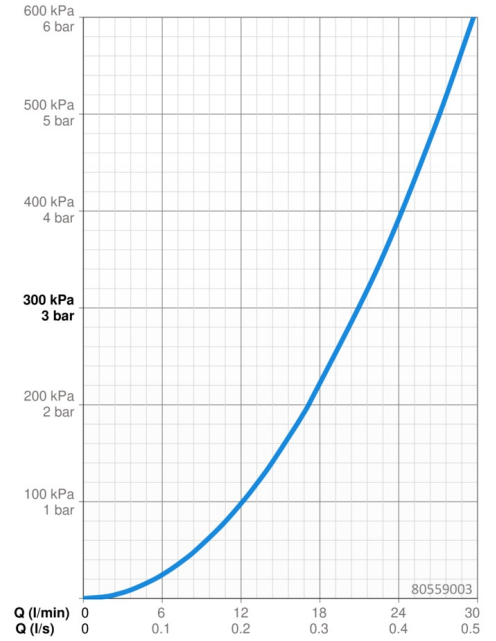
EN standard **EN 817**
 Noise class **I (ISO 3822)**

Approvals and Declarations

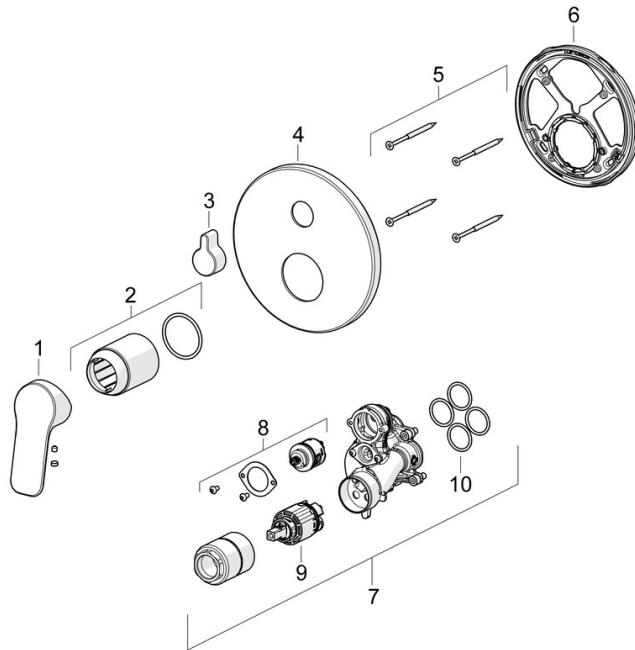
DVGW **DW-6506CS0196**
 ABP **PA-IX 38161/IDC**
 Declaration of conformity **DoC**
 EPD **S-P-07752**

Sustainability

EPD module A1 (kg CO2 eq.) **14,39**
 EPD module A2 (kg CO2 eq.) **0,46**
 EPD module A3 (kg CO2 eq.) **8,98**
 EPD module A1-A3 (kg CO2 eq.) **23,73**
 EPD module A4 (kg CO2 eq.) **0,39**
 EPD module B7 (kg CO2 eq.) **4053,00**
 EPD module C2 (kg CO2 eq.) **0,02**
 EPD module C3 (kg CO2 eq.) **0,02**
 EPD module C4 (kg CO2 eq.) **0,31**
 EPD module D (kg CO2 eq.) **-7,34**



Spare parts



SP80559003

	Name	Code
01	Lever	1014955V
02	Cover sleeve	59912511
03	Diverter knob	59914324
04	Cover flange, d 170 mm	59914308
05	Screw, M4.5x80	59912890
06	Fixing part	59914307
07	Functional unit, 3.5	59914299
08	Diverter	59914183
09	Cartridge, 3.5 Classic	59913075
10	O-ring, 23.47x2.62	59914304