

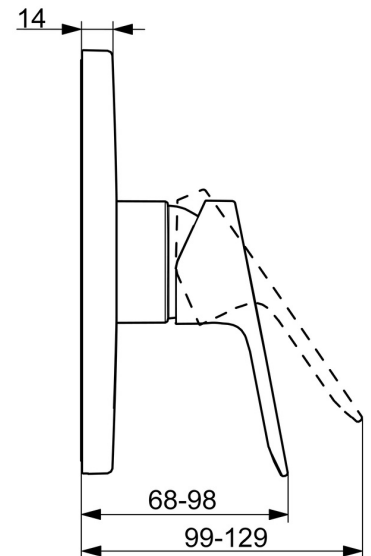
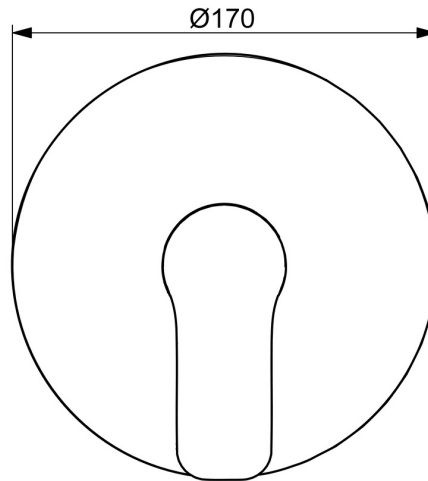
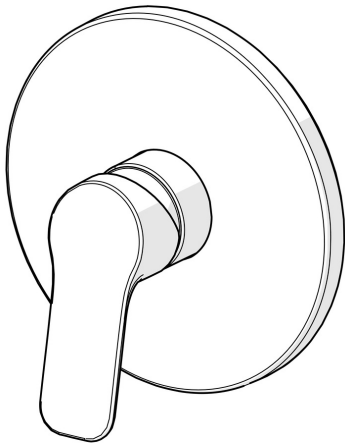
EAN: 4057304019142

static.hansa.com/80569003



Introducing the HANSABASIC shower faucet - a timeless choice for every modern bathroom. This trim kit features a chrome surface treatment and is designed for concealed wall-mounting. With hot and cold symbols and a single-operating lever, this faucet makes controlling the water temperature and flow effortless. This faucet not only comes with a universal design but also offers outstanding price-performance ratio. Choose the BASIC line for daily enjoyment in everyday use.

- Shower solutions
- Trim Kit, Single-lever
- Concealed wall mounting
- Chrome
- Hot/Cold symbols, Single operating lever/handle
- Limitation option for maximum temperature and flow-rate
- \varnothing 35 mm ceramic cartridge for flow and temperature control
- Inner body made of DZR brass
- BLUECLICK for an easy, screwless trim plate installation, Function unit, Fastening of the function unit with screws, Round rosette



Technical data

Flow properties

Flow-rate at 3 bar **20.4 l/min**

Technical properties

Hot water supply **max. +80°C**
 Working pressure **0.5-10 bar**
 Material **Brass**

Regulations

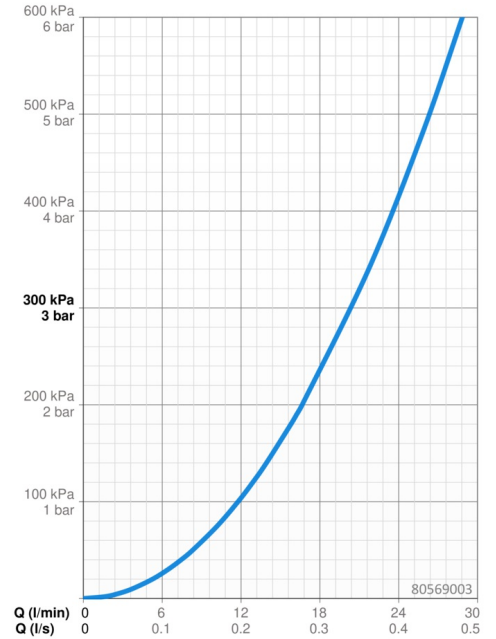
EN standard **EN 817**
 Noise class **I (ISO 3822)**

Approvals and Declarations

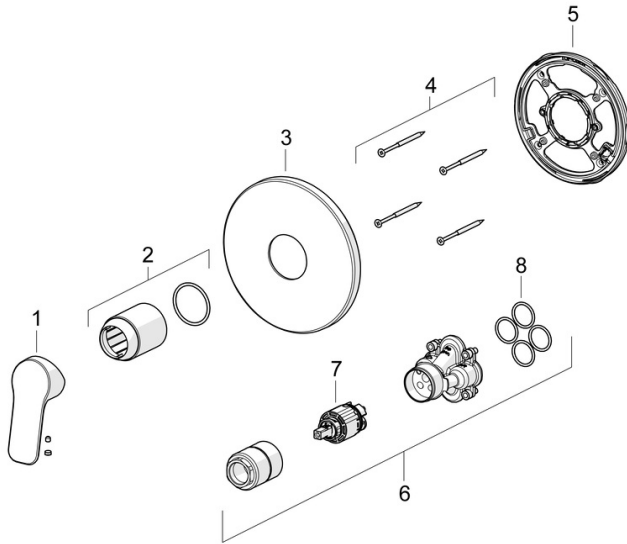
DVGW **DW-6506CS0196**
 ABP **PA-IX 38160/IB**
 Declaration of conformity **DoC**
 EPD **S-P-07752**

Sustainability

EPD module A1 (kg CO2 eq.) **11,29**
 EPD module A2 (kg CO2 eq.) **0,36**
 EPD module A3 (kg CO2 eq.) **7,05**
 EPD module A1-A3 (kg CO2 eq.) **18,62**
 EPD module A4 (kg CO2 eq.) **0,31**
 EPD module B7 (kg CO2 eq.) **3937,20**
 EPD module C2 (kg CO2 eq.) **0,02**
 EPD module C3 (kg CO2 eq.) **0,02**
 EPD module C4 (kg CO2 eq.) **0,24**
 EPD module D (kg CO2 eq.) **-5,76**



Spare parts



SP80569003

	Name	Code
01	Lever	1014955V
02	Cover sleeve	59912511
03	Cover flange, d 170 mm	59914310
04	Screw, M4.5x80	59912890
05	Fixing part	59914296
06	Functional unit, 3.5	59914303
07	Cartridge, 3.5 Classic	59913075
08	O-ring, 23.47x2.62	59914304