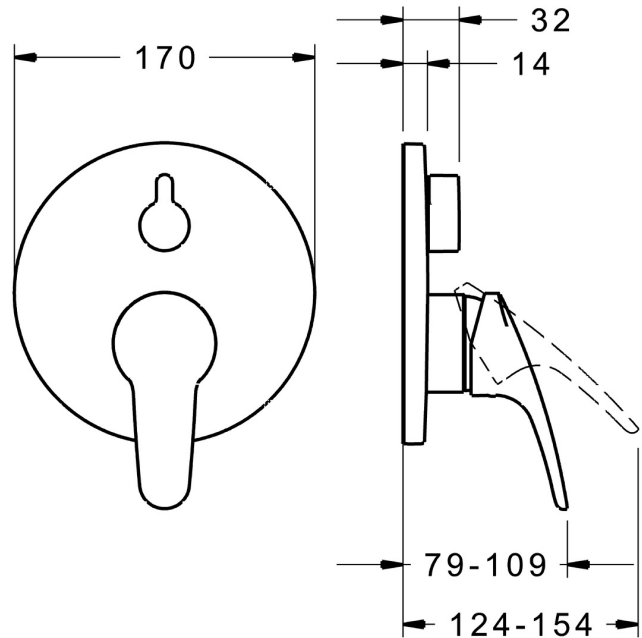
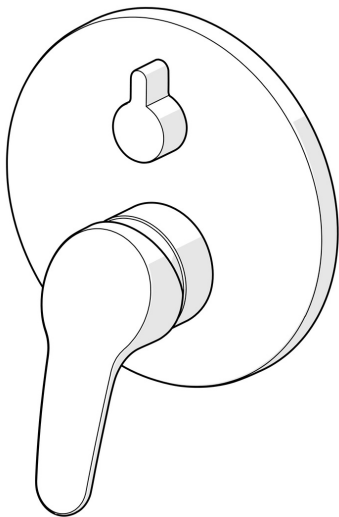


EAN: 4015474279230

static.hansa.com/81849083



- Bathtub & Shower
- Single-lever, Trim Kit
- Concealed wall mounting
- Chrome
- Hot/Cold symbols, Single operating lever/handle
- Turn operated diverter
- Limitation option for maximum temperature and flow-rate, Adjustable hot water stop (included, retrofittable)
- ø 48 mm ceramic eco cartridge for flow and temperature control
- Inner body made of DZR brass
- BLUECLICK for an easy, screwless trim plate installation, BLUETUNE alignment after installation of +/- 3,5°, Function unit, Fastening of the function unit with screws, Round rosette



Technical data

Flow properties

Eco-flow at 3 bar	12.6 l/min
Flow-rate at 3 bar	23.4 / 23.4 l/min

Technical properties

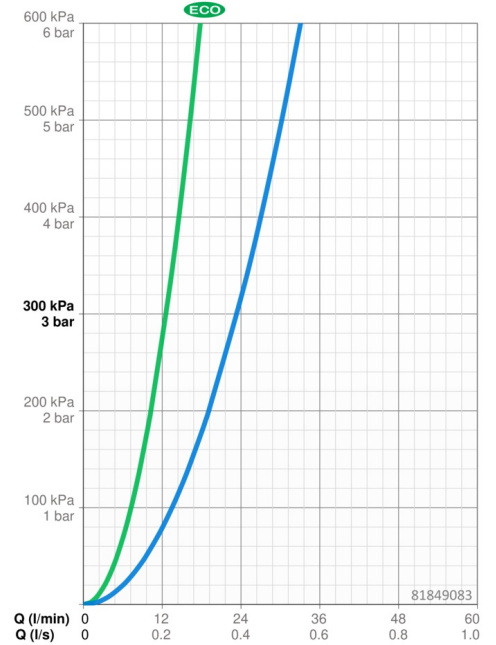
Hot water supply	max. +80°C
Working pressure	0.5-10 bar

Regulations

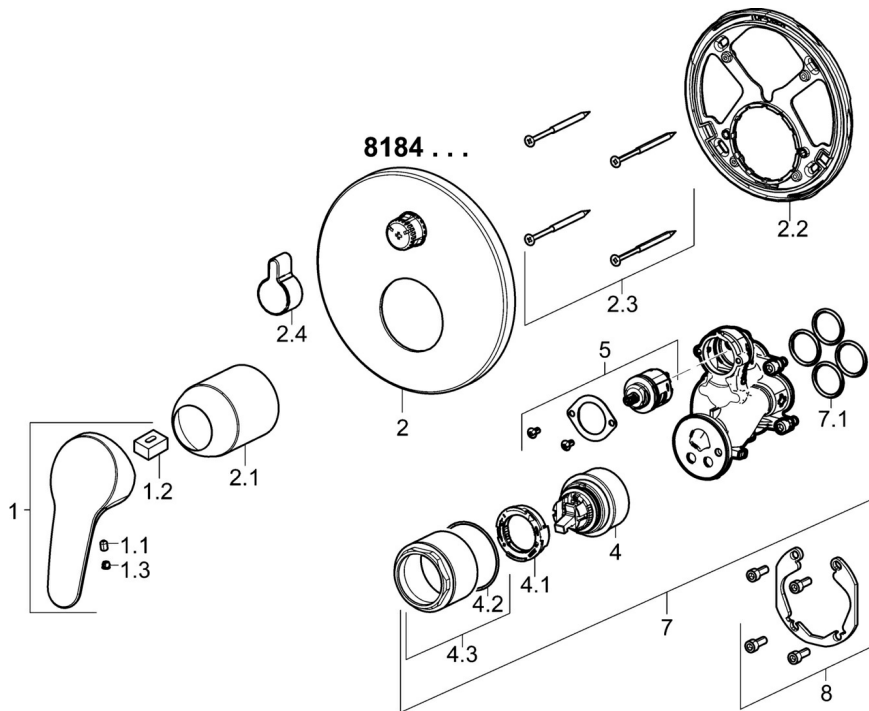
EN standard	EN 817
Noise class	I (ISO 3822)

Approvals and Declarations

DVGW	DW-6506CS0196
ABP	PA-IX 38181/ICC
Declaration of conformity	DoC



Spare parts



SP81849083

	Name	Code
1	Lever, L=93 mm	01880083
1.1	Screw, M5x8, SW2.5	59904755
1.2	Bushing	59904778
1.3	Symbol plug Grey	59912112
2	Cover flange, d 170 mm	59914317
2.1	Covering cap	59904820
2.2	Fixing part	59914307
2.3	Screw, M4.5x80	59912890
2.4	Diverter knob	59914324
4	Cartridge, 4.8 eco	59904601
4.1	Hot water limiter	59904759
4.2	O-ring, 50.52x1.78	59906841
4.3	Eye screw, M50x1, SW45	59912980
5	Diverter	59914183
7	Functional unit, 4.8	59914321
7.1	O-ring, 23.47x2.62	59914304
8	Installation kit	59914186
N.I.	Raising kit, 15 mm, d 170 mm	59914191
N.I.	Adapter, H/C reversed	59914184
N.I.	Screwdriver, 5 mm	59914334
N.I.	Fixing screw, M6x13	59914657
N.I.	Raising kit, 15 mm	59914182
N.I.	Diverter, 120°	59914655