

EAN: 4057304017360

[static.hansa.com/82609067](https://static.hansa.com/82609067)

The HANSAVANTIS is the perfect fit for any bathroom, with a proven expert quality you can rely on, no matter your specific needs. Durable and long-lasting in both design and service life, this faucet brings you joy and confidence for years to come.

Functional considerations and a dedicated level of detail offer a new user experience.

Elegant and functional designed diverter

High quality

Sleek design

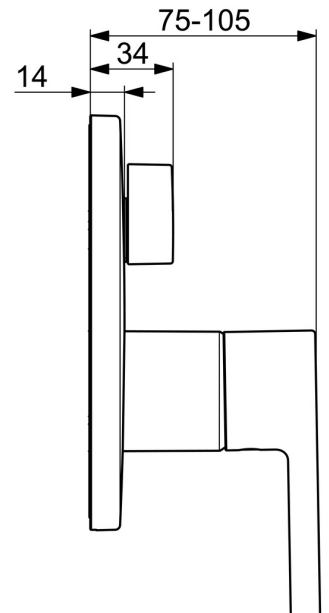
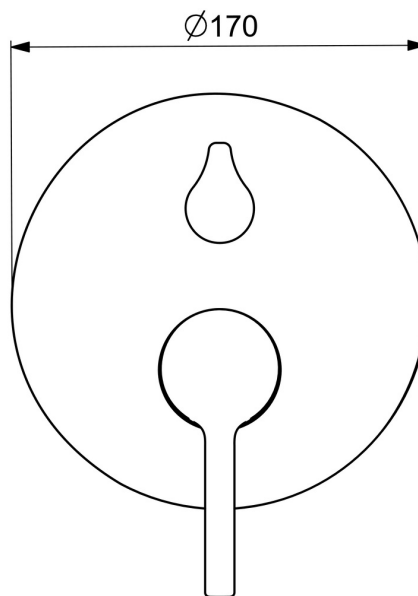
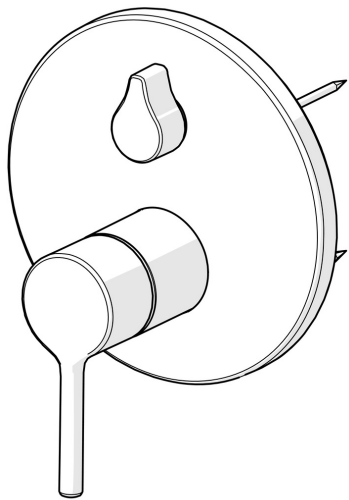
Double outlet diverter

Made in Europe

Shower and bath faucet with maximum comfort



- Bathtub & Shower
- Trim Kit, Single-lever
- Concealed wall mounting
- Chrome
- Single operating lever/handle, Pin shape, Hot/Cold symbols
- Turn operated diverter
- Limitation option for maximum temperature and flow-rate, Adjustable hot water stop (included, retrofittable)
- ø 40 mm ceramic cartridge for flow and temperature control
- Inner body made of DZR brass
- Rosette plate frame, Round rosette, BLUECLICK for an easy, screwless trim plate installation, BLUETUNE alignment after installation of +/- 3,5°, Fastening of the function unit with screws, Function unit



## Technical data

### Flow properties

Flow-rate at 3 bar **20.4 / 20.4 l/min**

### Technical properties

Hot water supply **max. +80°C**  
 Working pressure **0.5-10 bar**  
 Material **Brass**

### Regulations

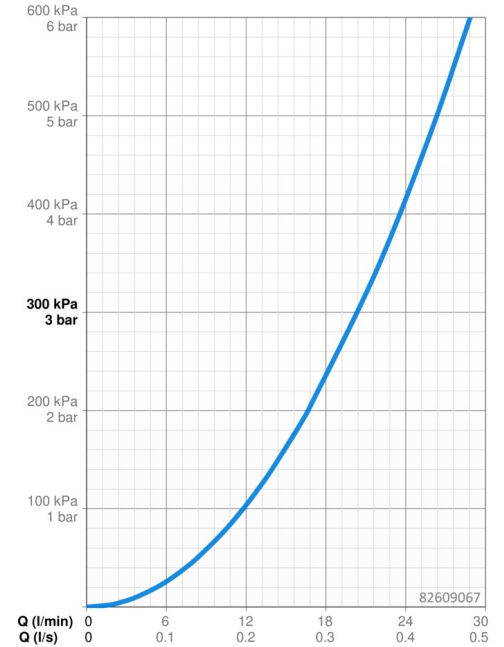
EN standard **EN 817**  
 Noise class **I (ISO 3822)**

### Approvals and Declarations

DVGW **DW-6506CS0196**  
 ABP **PA-IX 38593/IDC**  
 Declaration of conformity **DoC**  
 EPD **S-P-07752**

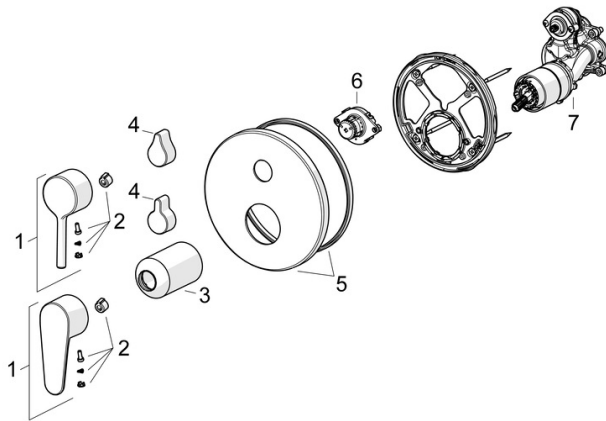
### Sustainability

EPD module A1 (kg CO2 eq.) **14,61**  
 EPD module A2 (kg CO2 eq.) **0,46**  
 EPD module A3 (kg CO2 eq.) **9,12**  
 EPD module A1-A3 (kg CO2 eq.) **24,10**  
 EPD module A4 (kg CO2 eq.) **0,40**  
 EPD module B7 (kg CO2 eq.) **3937,20**  
 EPD module C2 (kg CO2 eq.) **0,02**  
 EPD module C3 (kg CO2 eq.) **0,02**  
 EPD module C4 (kg CO2 eq.) **0,32**  
 EPD module D (kg CO2 eq.) **-7,45**



## Spare parts

### SP82609063



	Name	Code
01	Lever	1014994V
01	Lever	1014997V
02	Symbol plug	59914573
03	Cover sleeve	59914572
04	Diverter knob	59914324
04	Handle	59914576
05	Cover flange, d 170 mm	59914308
06	Diverter, 120°	59914655
07	Functional unit	59914514