

EAN: 4057304022043

static.hansa.com/8261906780

The HANSAVANTIS is the perfect fit for any bathroom, with a proven expert quality you can rely on, no matter your specific needs. Durable and long-lasting in both design and service life, this faucet brings you joy and confidence for years to come.

Functional considerations and a dedicated level of detail offer a new user experience.

Elegant and clean designed

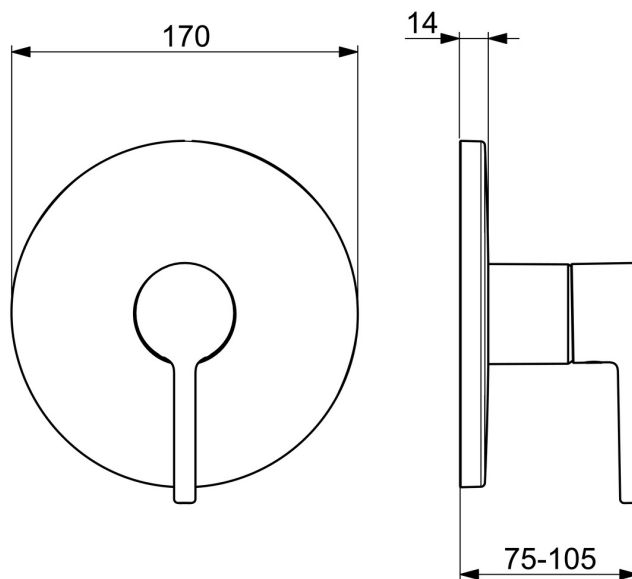
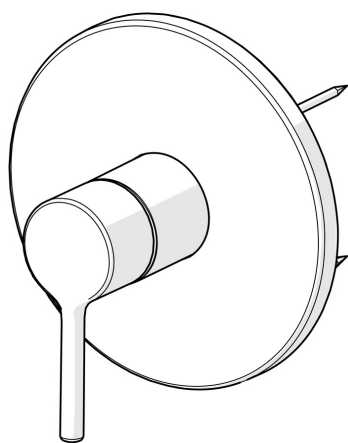
High quality

Sleek design

Made in Europe

Shower faucet with maximum comfort

- Shower solutions
- Trim Kit, Single-lever
- Concealed wall mounting
- Brushed steel
- Single operating lever/handle, Pin shape, Hot/Cold symbols
- Limitation option for maximum temperature and flow-rate, Adjustable hot water stop (included, retrofittable)
- \varnothing 40 mm ceramic cartridge for flow and temperature control
- Inner body made of DZR brass
- Rosette plate frame, Round rosette, BLUECLICK for an easy, screwless trim plate installation, Fastening of the function unit with screws, Function unit



Technical data

Flow properties

Flow-rate at 3 bar **19.8 l/min**

Technical properties

Hot water supply **max. +80°C**
 Working pressure **0.5-10 bar**
 Material **Brass**

Regulations

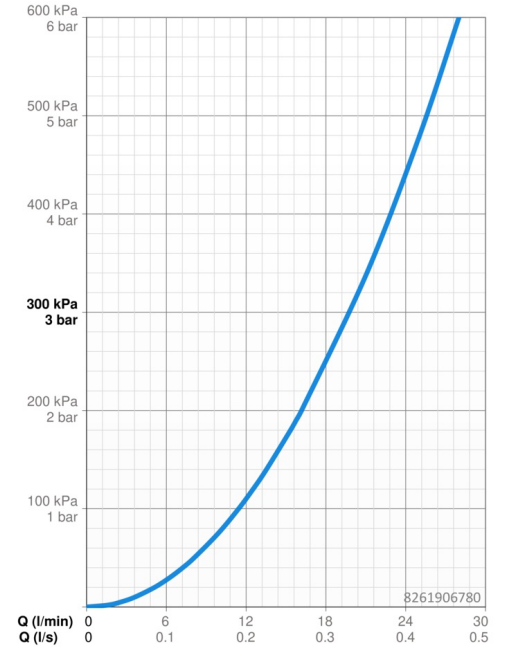
EN standard **EN 817**
 Noise class **I (ISO 3822)**

Approvals and Declarations

ABP **PA-IX 38592/IB**
 Declaration of conformity **DoC**
 EPD **S-P-07752**

Sustainability

EPD module A1 (kg CO2 eq.) **12,47**
 EPD module A2 (kg CO2 eq.) **0,40**
 EPD module A3 (kg CO2 eq.) **7,78**
 EPD module A1-A3 (kg CO2 eq.) **20,57**
 EPD module A4 (kg CO2 eq.) **0,34**
 EPD module B7 (kg CO2 eq.) **3821,40**
 EPD module C2 (kg CO2 eq.) **0,02**
 EPD module C3 (kg CO2 eq.) **0,02**
 EPD module C4 (kg CO2 eq.) **0,27**
 EPD module D (kg CO2 eq.) **-6,36**



Spare parts

SP82619067CLR

	Name	Code
01	Functional unit Discontinued	59914510

