

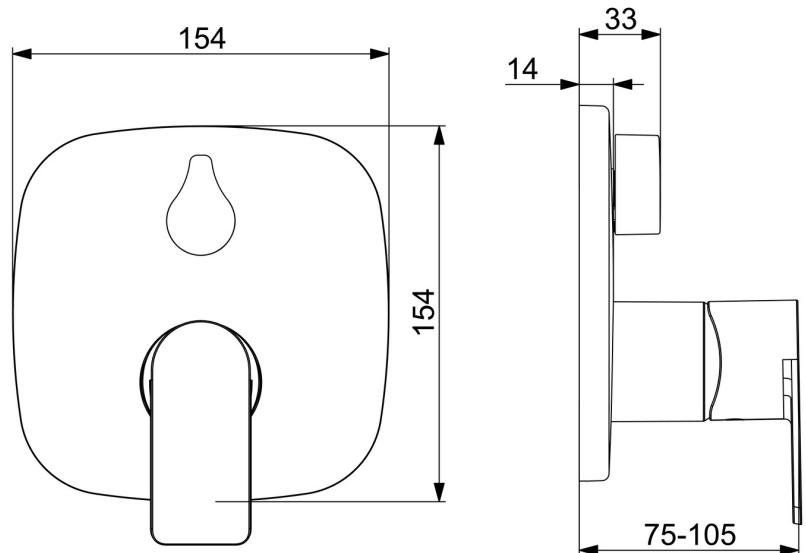
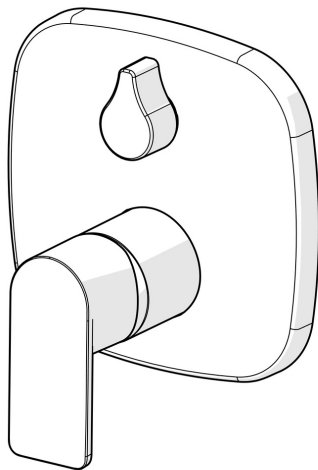
EAN: 4057304015274

static.hansa.com/87849173



Introducing this chrome finished bath and shower faucet, designed for concealed wall-mounting in your bathtub and shower area. The sleek chrome surface treatment adds a touch of elegance to your bathroom. With a single-lever trim kit and turn-operated diverter, it's never been easier to switch between bath and shower modes. The inner body is made of corrosion resistant brass, ensuring durability and reliability. This is a top-of-the-line product and known for its innovative design and flexibility in combination with different modern bathroom designs.

- Bathtub & Shower
- Trim Kit, Single-lever
- Concealed wall mounting
- Chrome
- Single operating lever/handle, Hot/Cold symbols
- Turn operated diverter
- Limitation option for maximum temperature and flow-rate
- ø 40 mm ceramic cartridge for flow and temperature control
- Inner body made of DZR brass
- BLUECLICK for an easy, screwless trim plate installation, BLUETUNE alignment after installation of +/- 3,5°, Function unit, Fastening of the function unit with screws, Sleeve, Soft edge rosette



Technical data

Flow properties

Flow-rate at 3 bar **20.4 / 20.4 l/min**

Technical properties

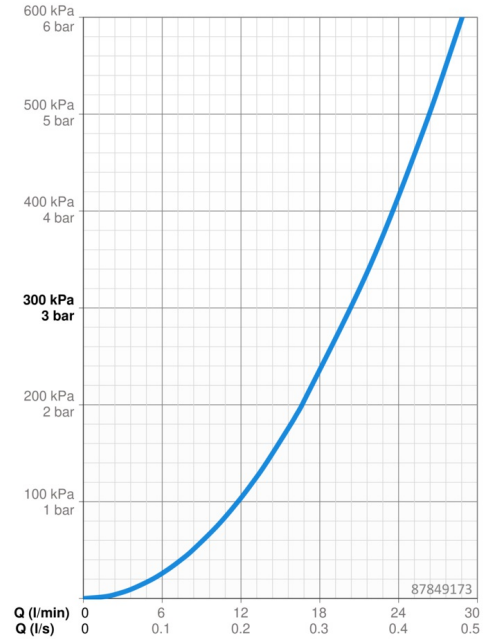
Hot water supply **max. +80°C**
 Working pressure **0.5-10 bar**
 Connection size **G1/2**
 Material **Brass**

Regulations

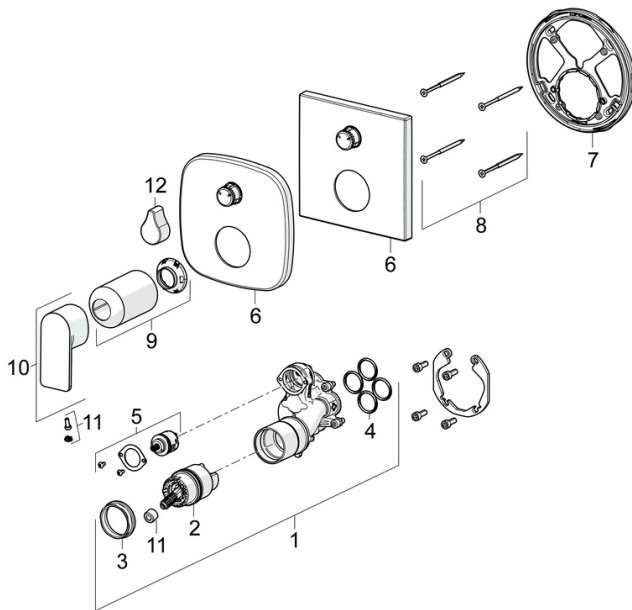
EN standard **EN 817**
 Noise class **I (ISO 3822)**

Approvals and Declarations

DVGW **DW-6506CS0196**
 ABP **PA-IX 38593/IDC**
 Declaration of conformity **DoC**



Spare parts



SP87849073

	Name	Code
01	Functional unit	59914514
02	Cartridge, 4.0 Classic	59914129
03	Tightening nut, M42x1.5, SW 38	59914128
04	O-ring, 23.47x2.62	59914304
05	Diverter	59914183
06	Cover flange	59914309
06	Cover plate, 154x154 mm	59914575
07	Fixing part	59914307
08	Screw, M4.5x80	59912890
09	Cover sleeve	59914572
10	Lever	1009774V
11	Symbol plug	59914573
12	Handle	59914576
N.I.	Diverter, 120°	59914655